

IRRIGATION KIT FOR BALCONIES

Installation Guide



Withstands
weather
conditions



Healthy plants
from the root



Automatic
dripping



Water
saving



No need
for special
tools



Scan the code for
the video tutorial

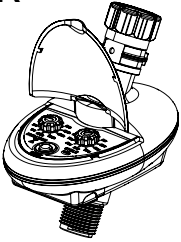
Galcon Kfar Blum

T: 972-4-6900222 | F: 972-4-6902727 | info@galconc.com | www.galconc.com

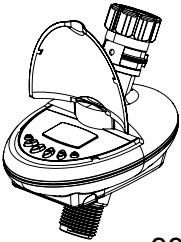
PARTS OF THE KIT

1

K 9001EZ

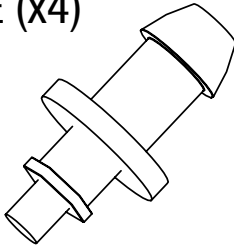


Includes one irrigation controller to be chosen from two models



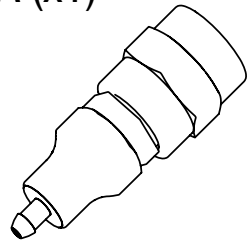
9001BT

E (x4)



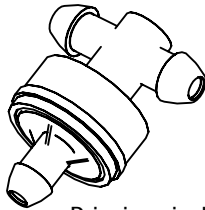
End of line 4/7

A (x1)



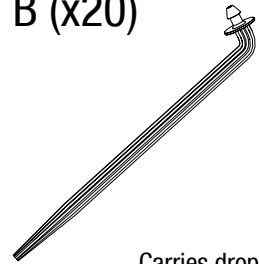
Pressure regulator

F (x20)



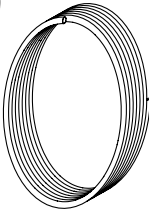
Dripping pipeline

B (x20)



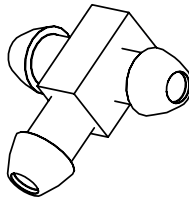
Carries drops

I (x1)



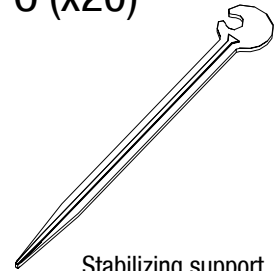
10 meters of 3/5 pipe

G (x4)



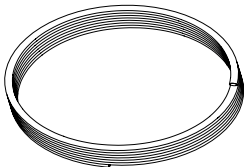
T 4/7

C (x20)



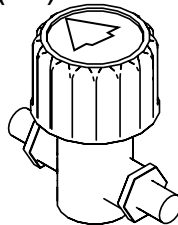
Stabilizing support

J (x2)



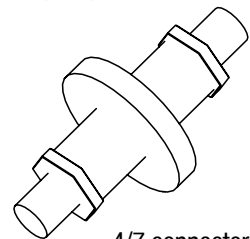
10 meters of 4/7 pipe

H (x2)

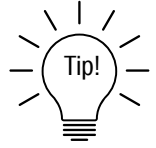


4/7 faucet

D (x3)

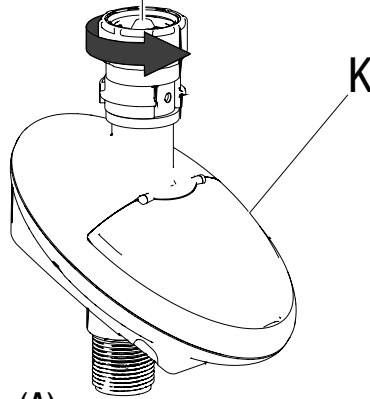
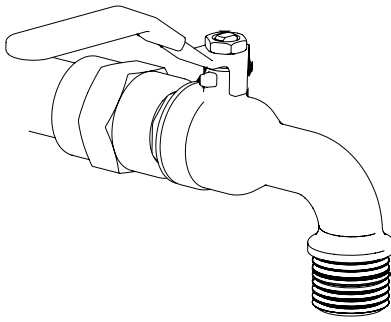


4/7 connector

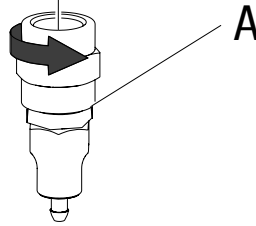


For easy connection between the parts, the end of the pipe can be immersed in hot water

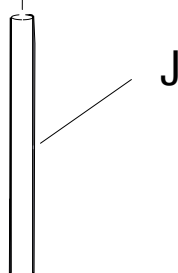
Screw the controller to the 3/4" faucet



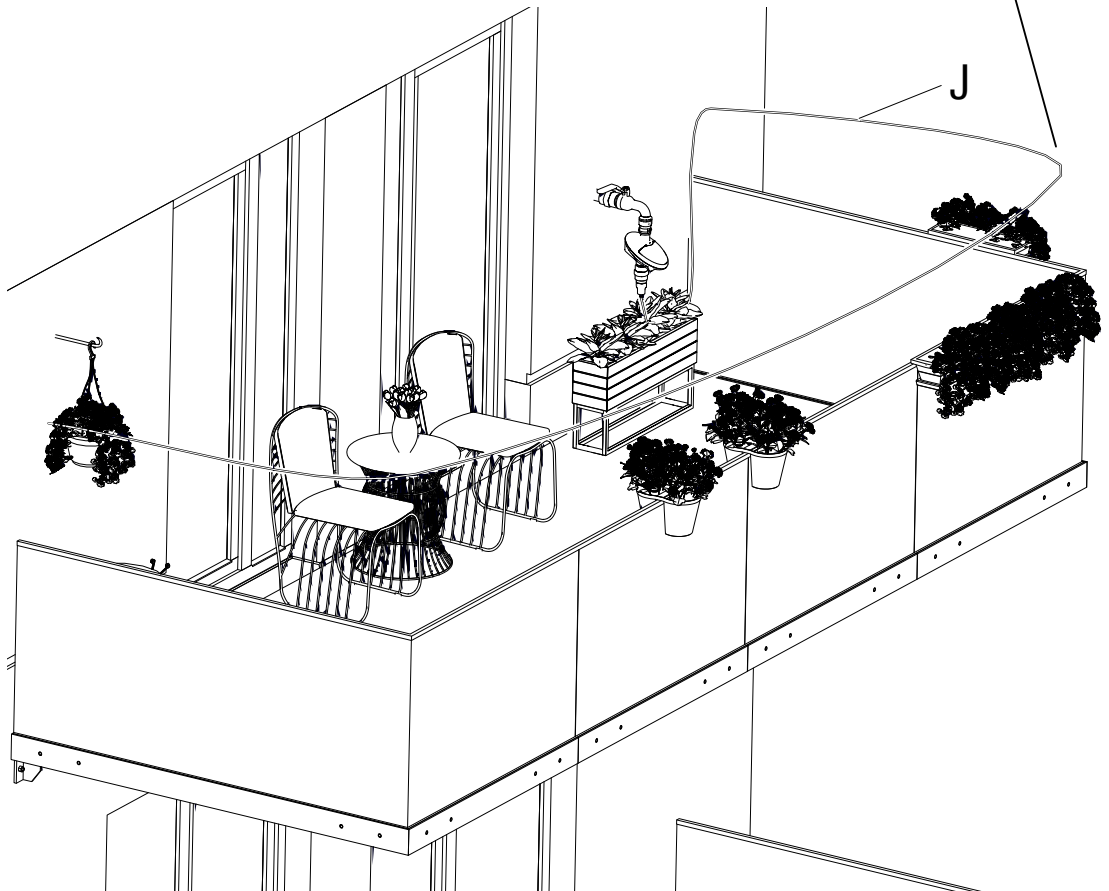
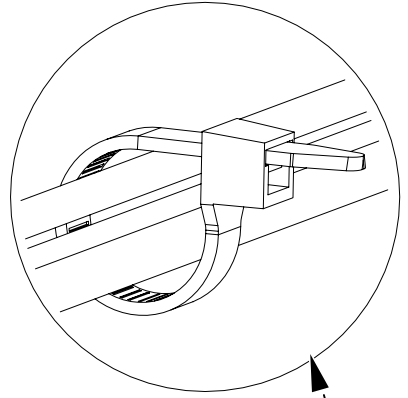
Screw the pressure regulator (A) to the controller.



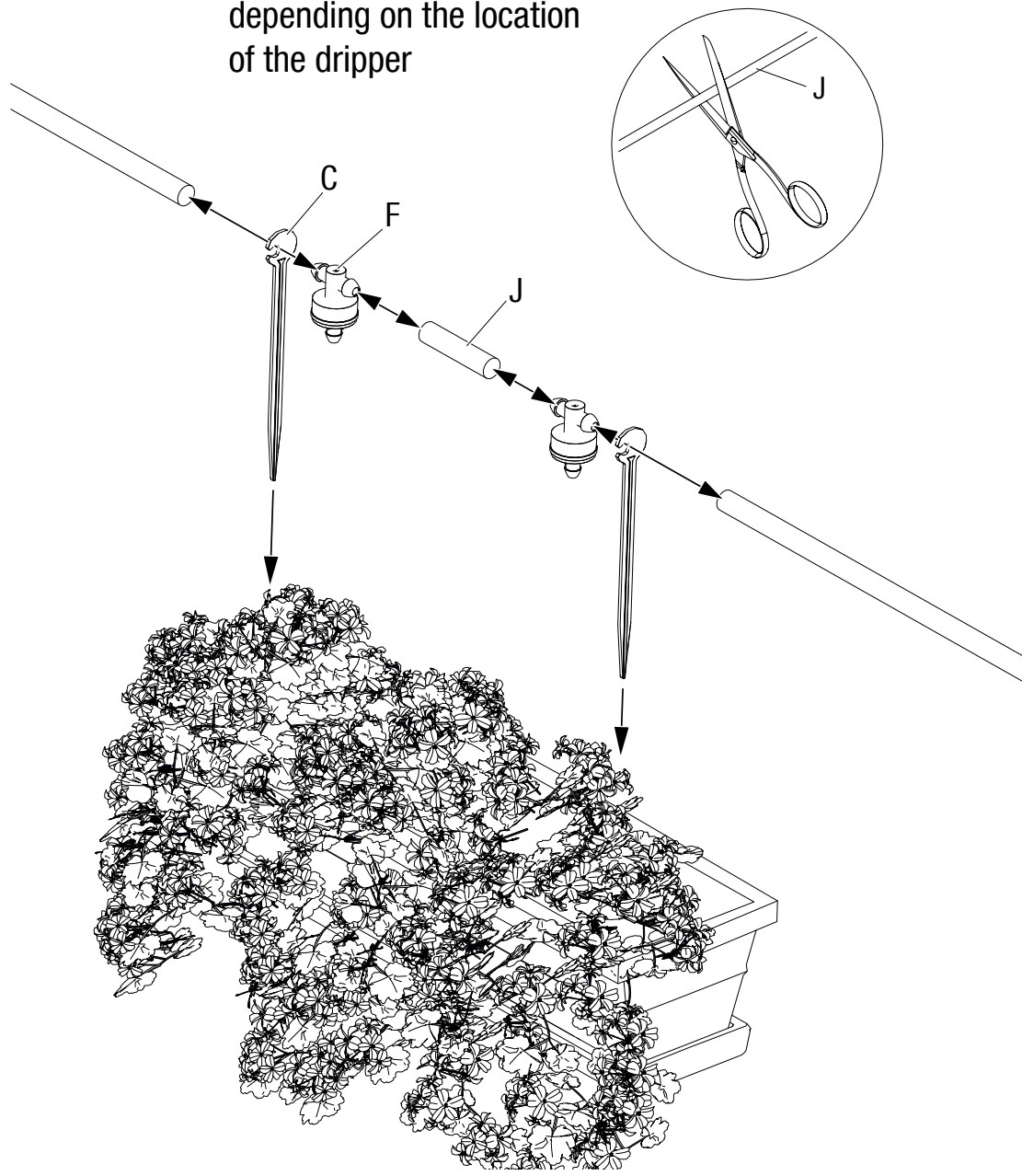
Connect the 4/7 pipe (J) to the end of the regulator

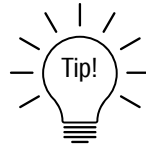


Place the 4/7" tube according to the position of the plants, and fasten it with the cable ties

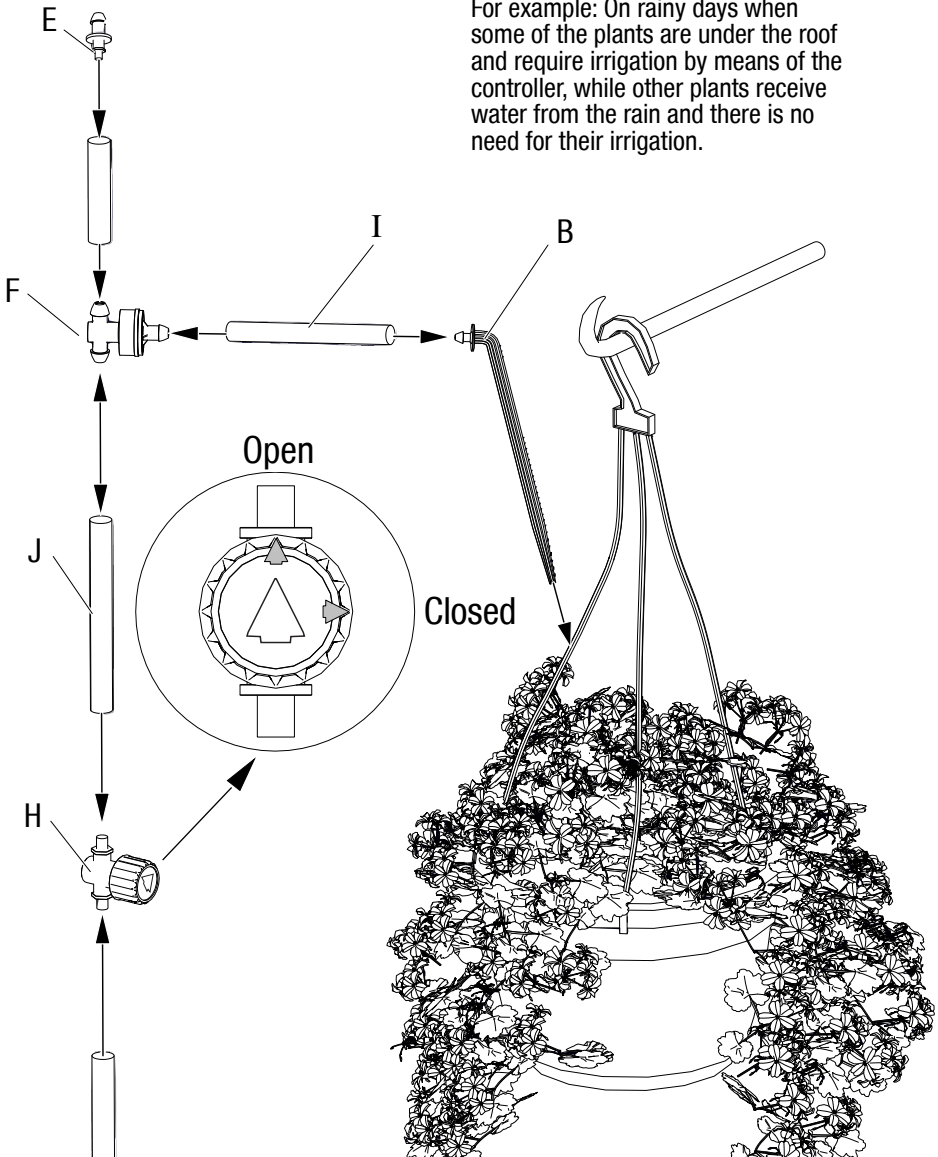


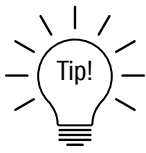
Cut the hose with scissors,
depending on the location
of the dripper



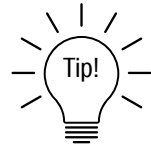


Tip – The faucet (H) enables manual opening and closing of irrigation, for a particular part of the system.
 For example: On rainy days when some of the plants are under the roof and require irrigation by means of the controller, while other plants receive water from the rain and there is no need for their irrigation.





Before connecting the end plug (E), it is recommended to open the main faucet for a few seconds to clean the irrigation pipeline from dirt, thus preventing blockages.



3/5 Pipe (I)
Connects to the black connection of the dripping pipe (F) on one side, and to the drop carrier on the other side (B)

