

Thank you for purchasing our
**Cresco 10SW Fertilizer and
Salt Spreader Assembled**



**We're delighted to have you as a customer
and are here to help! First off, let's get your
product assembled!**

Table of Contents:

- 1:** Spare Parts
- 2-4:** Assembling your Cresco 10SW
- 4-5:** How to Swap Over the Cresco Sliders
- 6-8:** Slide System Explanation
- 9-12:** How to Use the Cresco 10SW
- 13:** Application Guide for Fertilizer
- 14:** Warranty

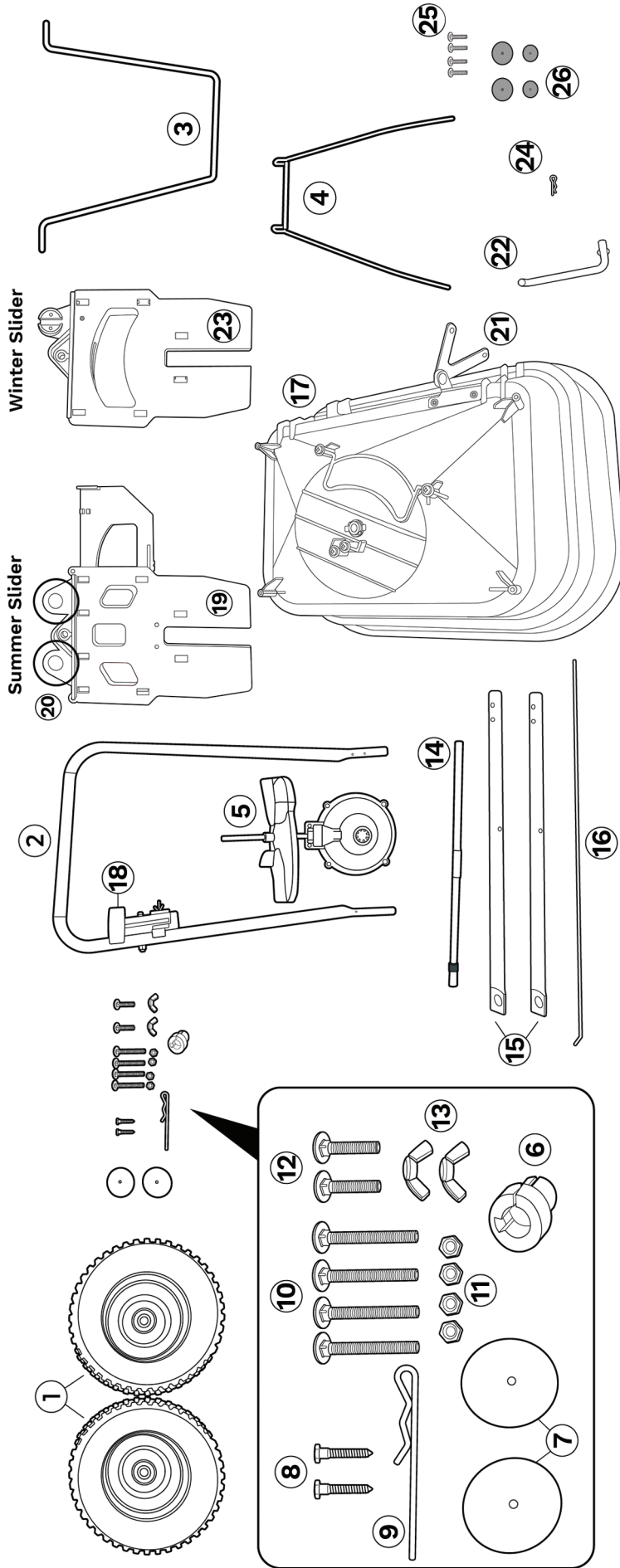
Scan for video assembly:



**3 YEAR
WARRANTY!**



Spare Parts



Empty all contents of the box onto a flat surface and count parts to make sure all are there.

CRESO 10 PARTS LIST:

- | | | | |
|--|--|----------------------|----------------------------|
| 1. Wheel (X2) | 7. Plastic Wheel Caps | 14. Wheel Axle | 20. Adjustors (Left/Right) |
| 2. Handle Bar | 8. Wheel Cap Screws (With part 5 attached) | 15. Lower Frame (X2) | 21. Pivot Rod |
| 3. Backstand | 9. Agitator | 16. Control Rod | 22. Lower Linkage |
| 4. Cable Back Stand | 10. M6x60 (X4) | 17. Hopper Body | 23. Winter Slider |
| 5. Gear box and Impellor | 11. M6 Nuts (X4) | 18. Control Lever | 24. R-pin Small |
| 6. Axle bearing (X2) (One is on the axle, the second one is in the parts pack) | 12. M6x35 (X2) | 19. Summer Slider | 25. 4x Screws |
| | 13. M6 x Wing Nut (X2) | | 26. 4x Washers |

Scan to view and purchase spare parts:



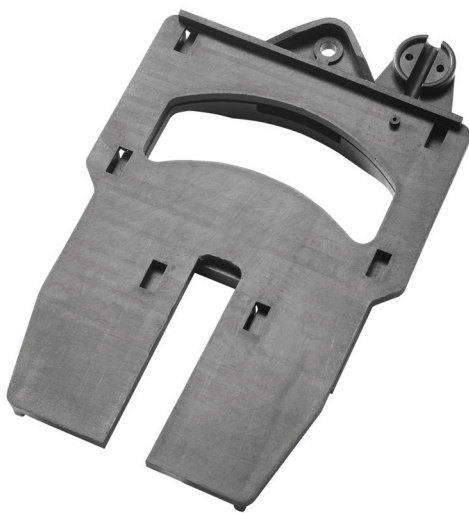
Slide System **Explanation**

***** VERY IMPORTANT *****

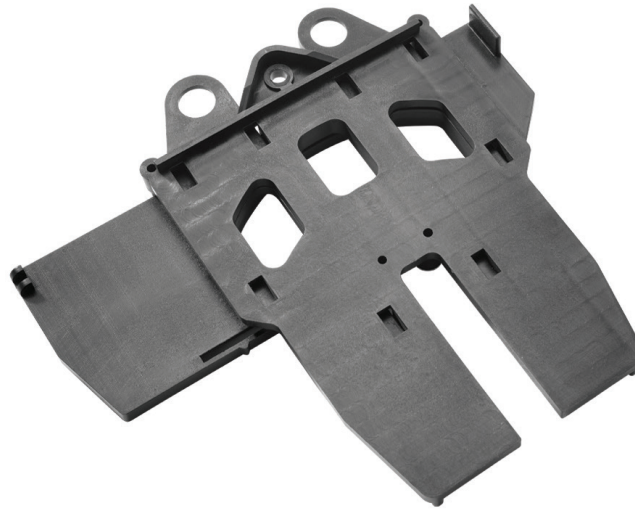
Your Cresco spreader comes with two different application sliders.
One is for **winter** and the other is for **summer**!



**DO NOT SPREAD FERTILIZER
WITH THE WINTER SLIDER**



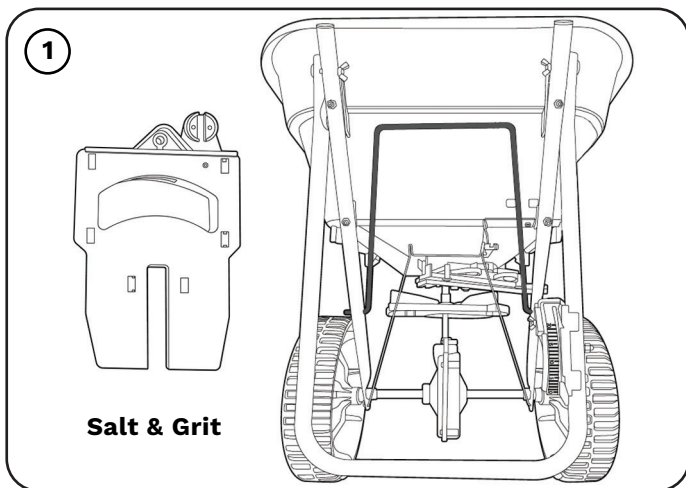
Winter Slider



Summer Slider

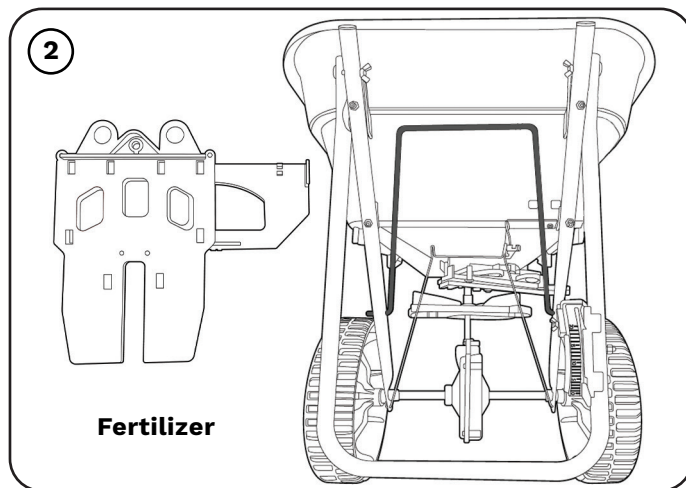
Please locate and choose your slider.

Assembling your **Cresco 10**



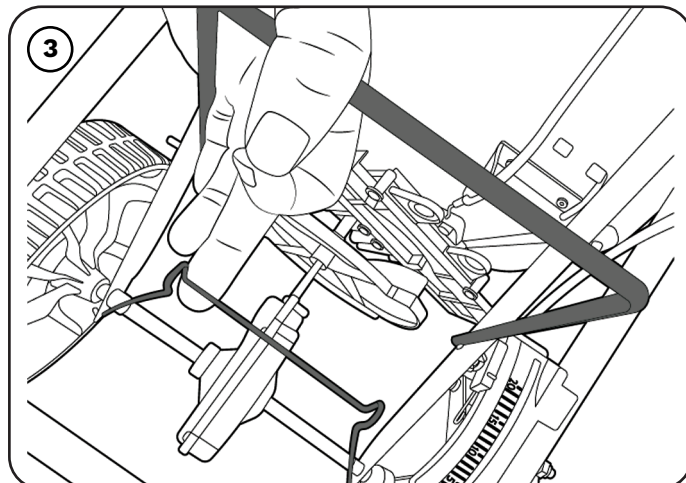
Salt & Grit

Before you start, decide what you would like to use your spreader for. If you are spreading salt, please use the large application slider pictured above.

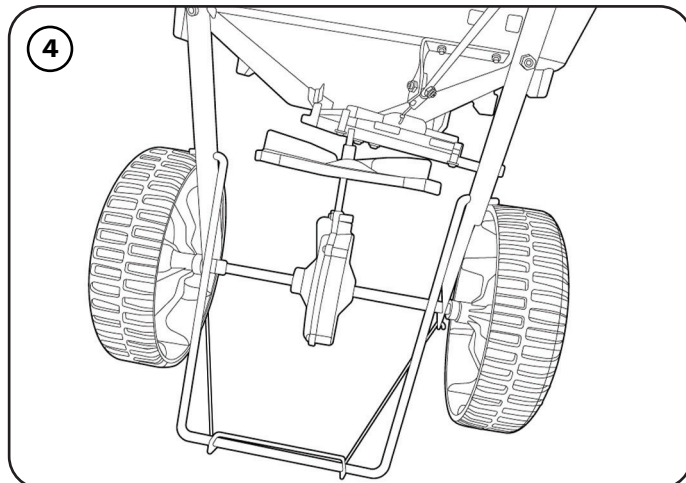


Fertilizer

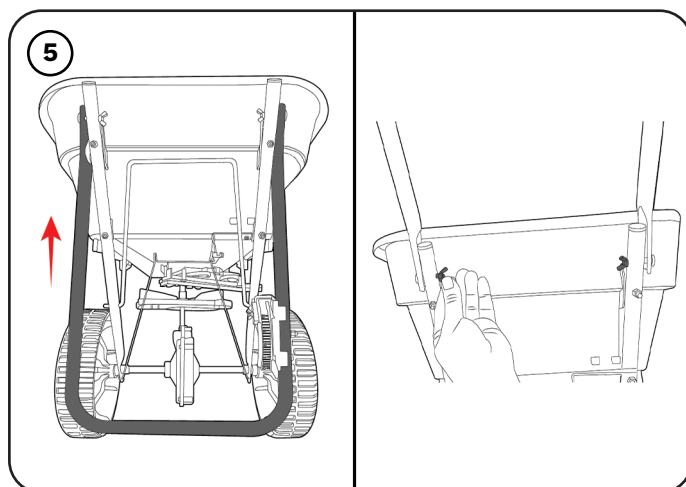
If you are using the spreader to apply fertilizer, please use the slider with the three holes pictured above. If the wrong slider is fixed to your spreader, please refer to the 'change your slider' section of this manual.



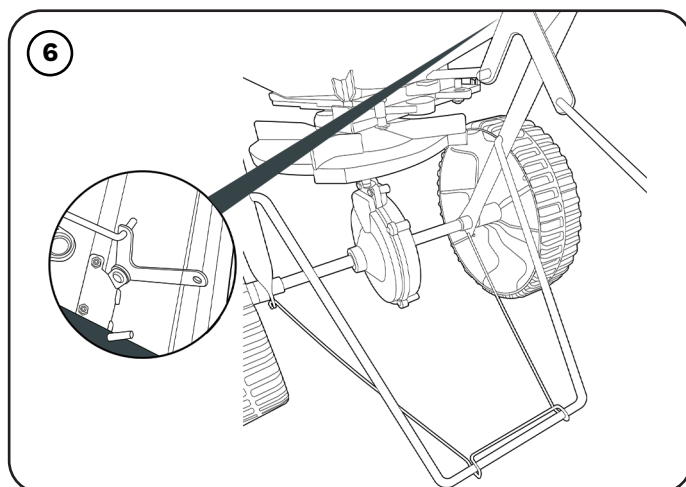
Clip the back stand (3) into the cable back stand (4).



Your back stand should now look like this.

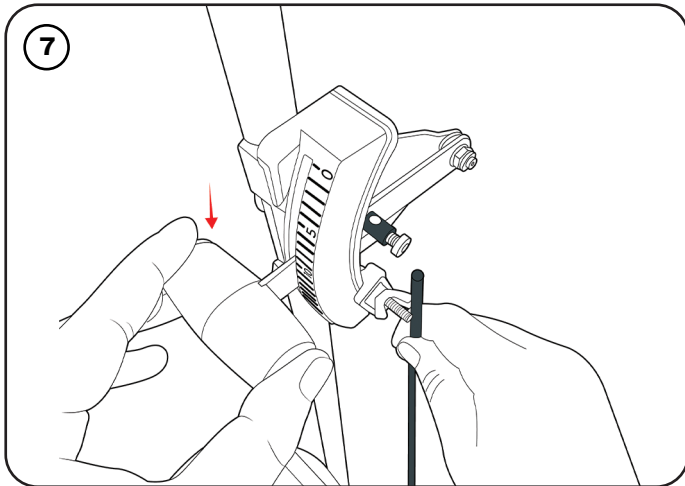


Take the handlebar (2) and pull it into position as shown. Tighten the M6 wingnuts (13) to fix in position.

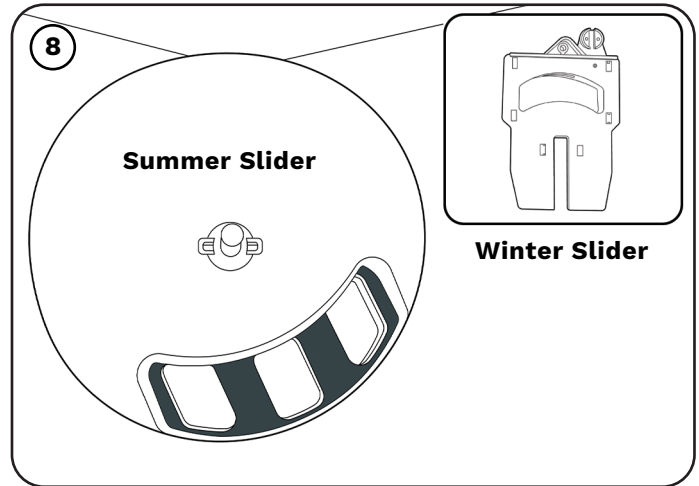


Protruding from the back of the hopper body (item 17) is a V-shaped metal (item 21 (pivot bracket)). Clip the Pivot bracket end of the control rod (item 16) into the hole on the V-shaped metal.

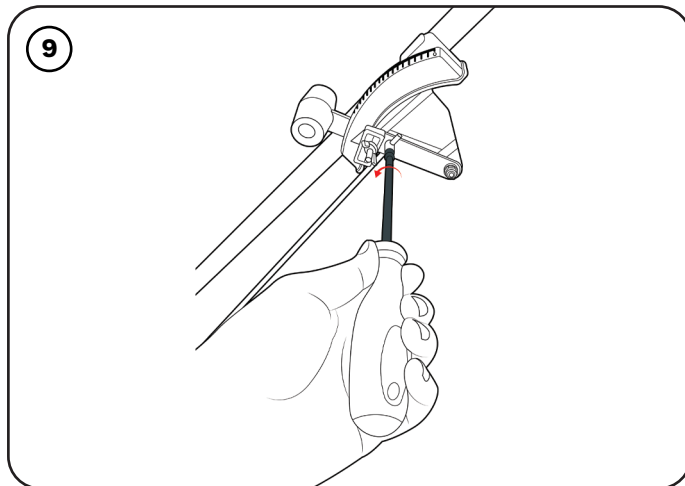
Assembling your **Cresco 10**



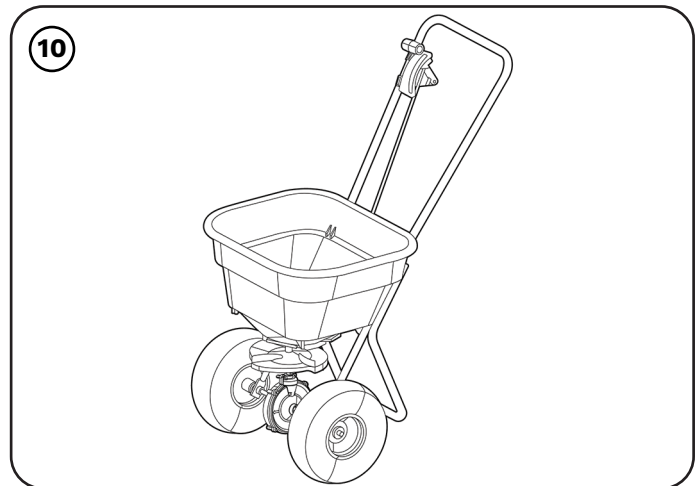
Feed the other end of the control rod (item 16) through the hole at the back of the control lever (item 18). Make sure you push the lever all the way to the bottom.



Before tightening the control rod. Make sure the application holes in the hopper are fully open and the control lever is set at 20.

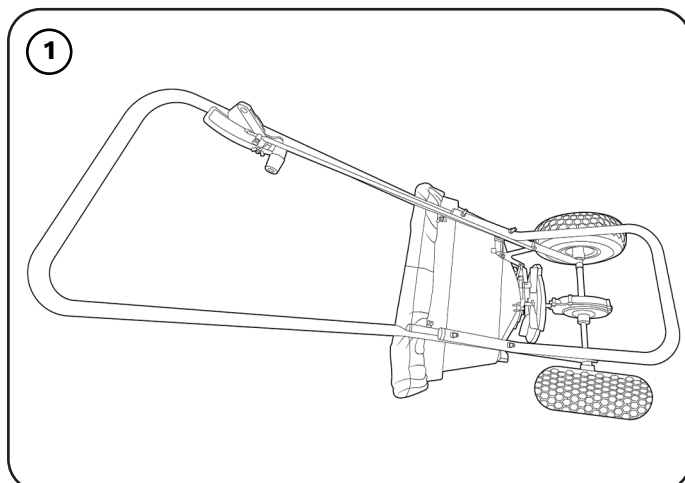


Tighten the control rod.

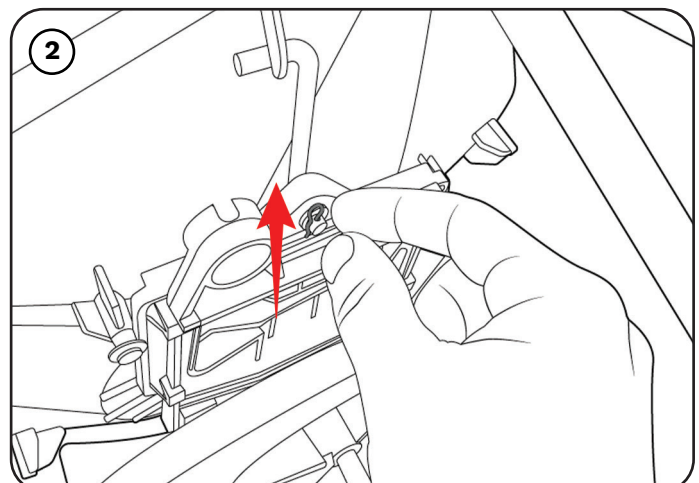


Your Cresco 10SW is now complete!

How to swap over the Cresco Sliders

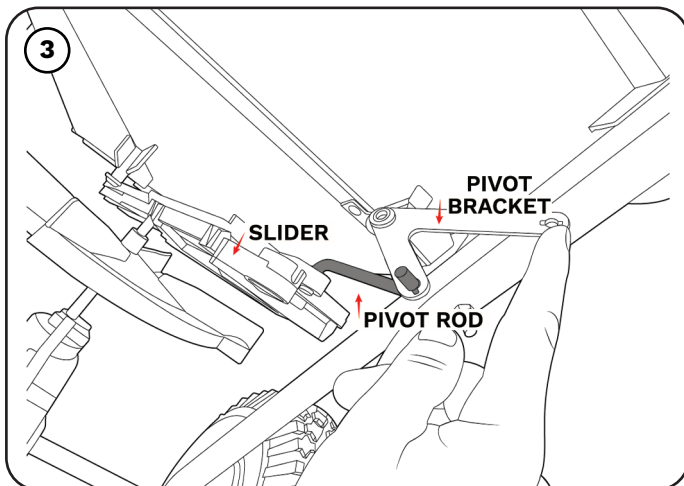


Place the finished unit onto a table so that the back of the spreader is easily accessible.

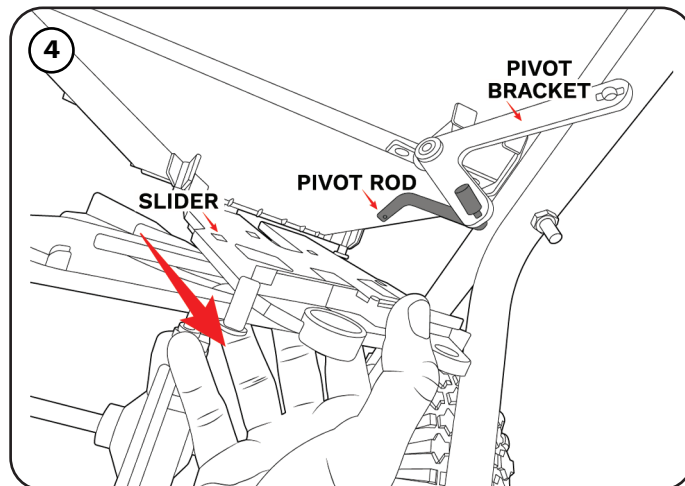


Locate the R-pin that helps hold the slider in place on the underside of the slider. Remove the R-pin (24).

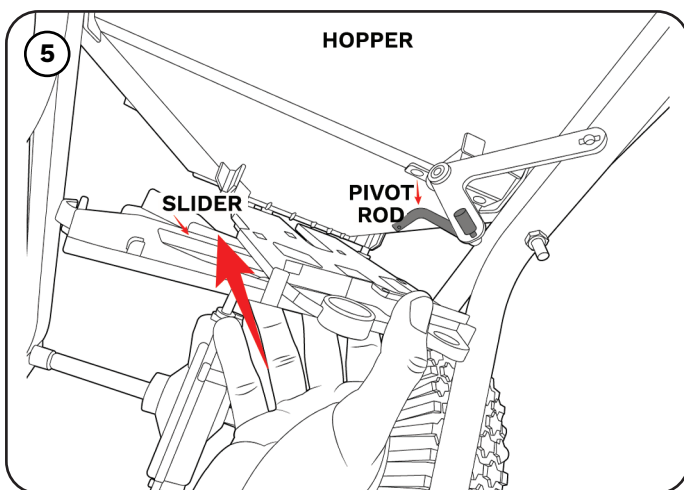
Assembling your **Cresco 10**



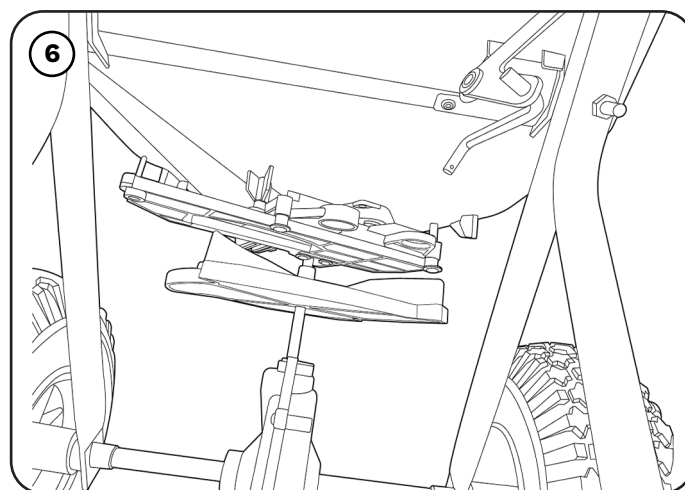
Push the top of the pivot bracket (21) so the slider (20 or 23) is pushed back and the pivot rod (22) is loosened.



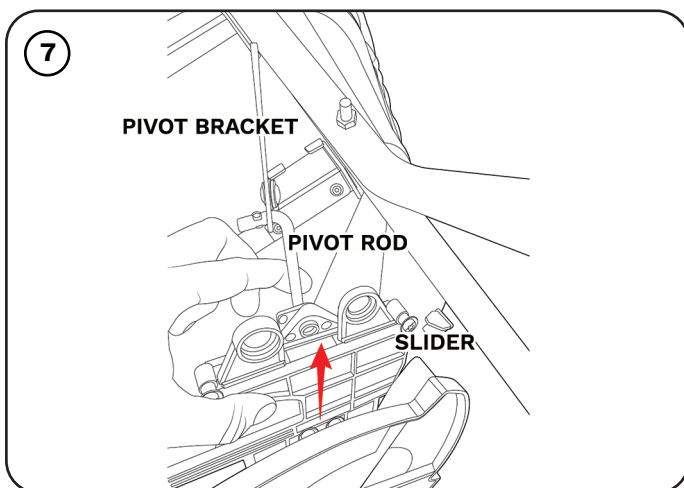
Remove the pivot rod (22) by pushing the tip through the hole at the top of the slider. When the pivot rod is removed, remove the slider (20 or 23).



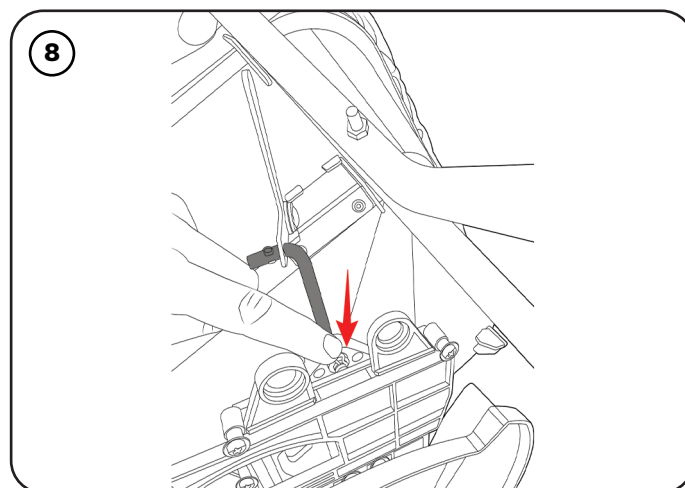
When you have removed the slider (20 or 23) you no longer wish to use, find the alternative slider and push it into the grooves on the bottom of the hopper (17). (The Summer Slider is pictured here).



The slider should be secure and sit level underneath the hopper. It should slide smoothly in and out of the grooves.



Pull the slider out slightly to allow space to insert the pivot rod (22) back into the pivot bracket (21) and slider (20 or 23).



Push the bottom end of the pivot rod (22) into the hole at the top of the slider and secure with the R-pin (24).

Slide System **Explanation**

Winter

For spread width 6 meters.



Pavement setting (2 meters).



Ice Melts

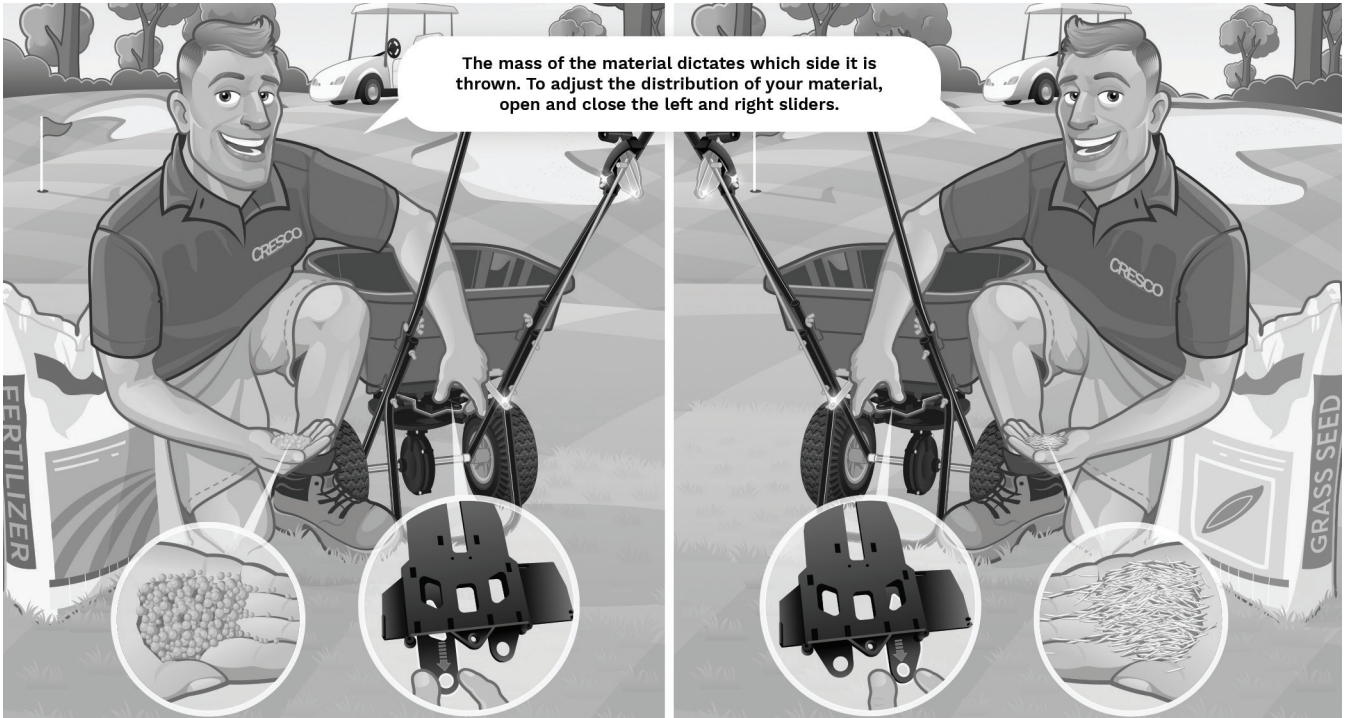


Summer

The summer slide system comes with 20 different settings and a border control. This slider provides control over the accuracy of your spreading.

Large/Heavy Materials

Small/Light Materials



Border Control



To protect your borders simply slide the border control into position to cut off the left hand side of the spread pattern.

Slide System **Explanation**



**SLIDE-SYSTEM
TECHNOLOGY
SETTINGS**

**TWO SEASONS.
ONE SPREADER.**



PRODUCT		SUMMER SLIDER	SLIDER ADJUSTER SETTINGS	
	POWDERED OR MICRO GRANULAR FERTILIZER		NO ADJUSTMENT OF EITHER SLIDER RECOMMENDED	
	MEDIUM GRANULAR FERTILIZER		NO ADJUSTMENT OF EITHER SLIDER RECOMMENDED	
	LARGE GRANULAR FERTILIZER		ADJUSTMENT OF THE LEFT SLIDER RECOMMENDED 6-7 CLICKS	
	GRASS SEED OR VERY LIGHT MATERIALS		ADJUSTMENT OF THE RIGHT SLIDER RECOMMENDED 3-4 CLICKS	
	PELLETED MATERIALS		ADJUSTMENT OF THE LEFT SLIDER RECOMMENDED (SELECT CLOSED)	
	LARGE GRANULAR ICE MELTS		ADJUSTMENT OF THE LEFT SLIDER RECOMMENDED (SELECT CLOSED)	
WINTER SLIDER				
** Please note this chart is a guide only. Due to variations in the spreading characteristics of materials, accurate calibration should be carried out by the operator for each different material being applied.**				
	SHARP SAND		FULL OR REDUCED WIDTH SLIDER OPTION RECOMMENDED	
	FLOWABLE SAND / SOIL MIX		FULL SLIDER WIDTH USE RECOMMENDED	
	COARSE MARINE SALT		FULL OR REDUCED WIDTH SLIDER OPTION RECOMMENDED	
	ROCK SALT		FULL SLIDER WIDTH USE RECOMMENDED	
	GRIT MATERIALS		FULL SLIDER WIDTH USE RECOMMENDED	

WWW.CRESCOSPREADERS.COM

DMMP Limited is not responsible for misapplication due to incorrect use or incorrect calibration of Cresco spreaders, and any other DMMP Limited spreader brands.

For calibration information please refer to "how to calibrate" section on the Cresco website.



How to use the **Cresco 10**

How to Apply Fertilizer to your lawn like a pro in four steps!

Step 1: Understanding the application rate and settings

Step 2: Preparing the Spreader

Step 3: Walking Patterns for the optimum application

Step 4: Cleaning & Maintenance

Step 1: Understand the application rate and settings

Application Rate Settings

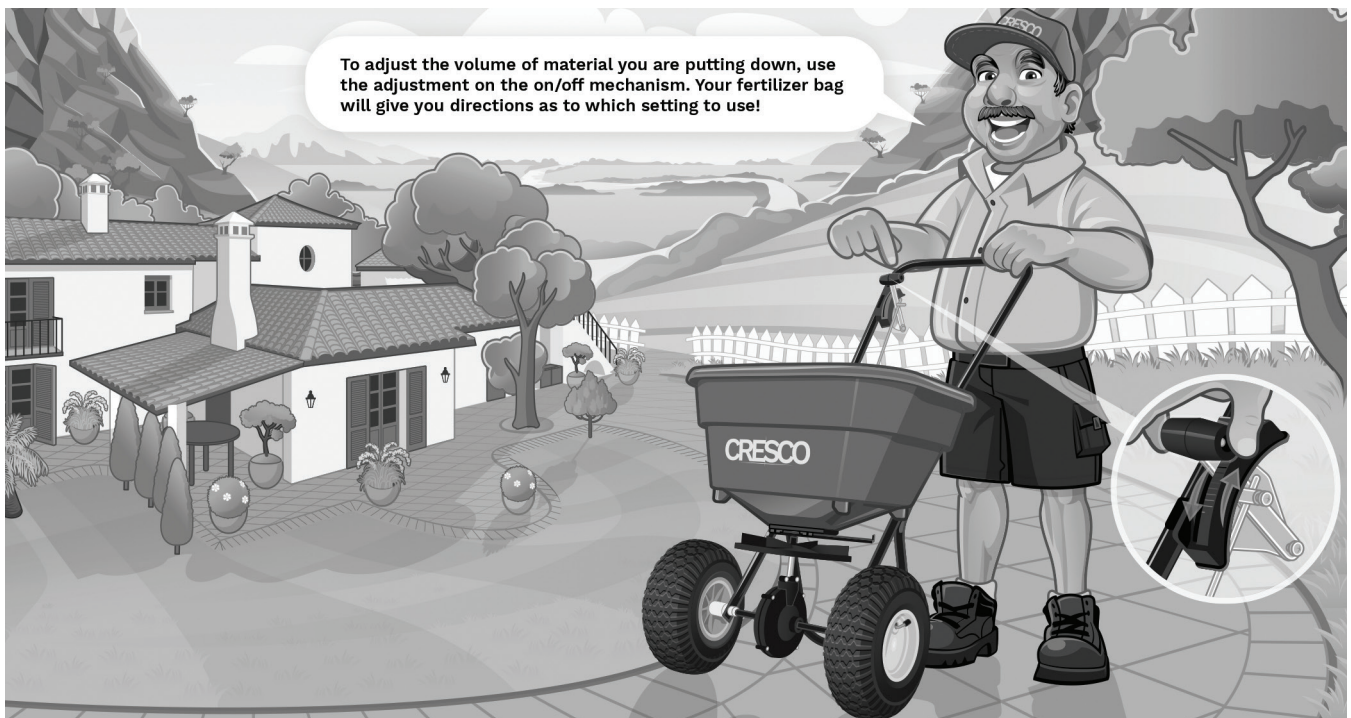
Check the back of the fertilizer bag to find out the recommended G/m² and spreader application setting.



If the spreader setting is not on the back of the bag, please get in touch with your fertilizer bag provider.



Set the handle to the correct setting.



If you are unable to find the required Cresco volume setting, please visit, www.crescospreaders.com

How to use the Cresco 10

Spread Pattern Settings

Once you have the correct application rate, you will need to check that the spread of material is even on both sides of the spread pattern.

To balance the spread pattern for your material, check online or with your fertilizer or seed provider.

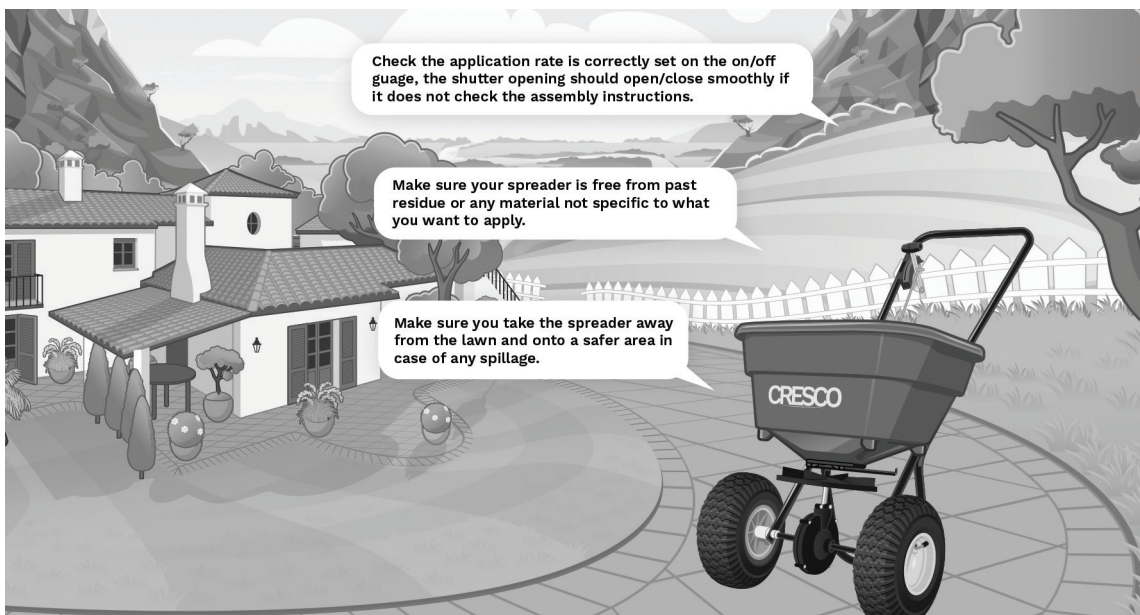
For a quick reference, please refer to our guide on the previous page.



The chart is titled "CRESCO SLIDE-SYSTEM TECHNOLOGY SETTINGS" and "TWO SEASONS. ONE SPREADER." It provides a reference for slider adjustments based on the product type. The chart is organized into three columns: PRODUCT, SUMMER SLIDER, and SLIDER ADJUSTER SETTINGS. The first row shows "POWDERED OR MICRO GRANULAR FERTILIZER" with a "SUMMER SLIDER" icon and "NO ADJUSTMENT OF EITHER SLIDER RECOMENDED" settings. The second row shows "MEDIUM GRANULAR FERTILIZER" with a "SUMMER SLIDER" icon and "NO ADJUSTMENT OF EITHER SLIDER RECOMENDED" settings.

PRODUCT	SUMMER SLIDER	SLIDER ADJUSTER SETTINGS
 POWDERED OR MICRO GRANULAR FERTILIZER		NO ADJUSTMENT OF EITHER SLIDER RECOMENDED 
 MEDIUM GRANULAR FERTILIZER		NO ADJUSTMENT OF EITHER SLIDER RECOMENDED 

Step 2: Preparing the Spreader



Check the material to be applied is dry and free flowing to ensure it will flow freely through the hopper. Make sure your application rate and spread pattern settings are correct, **close the application hole fully** and then pour in your material.

How to use the **Cresco 10**

Your outlet hole should look like this before you pour in any material.



It is preferable to spread when the weather is dry, however a rain cover can be added to your spreader to ensure the material in your hopper is not exposed to moisture.



WARNING **Do not pour material in the hopper when the application holes are open as it can lead to spillages or leaks that can damage the area. Do not open the gauge until you are over the area you want to spread and are moving at a brisk walk***

Step 3: Walking Patterns for the optimum application (For Fertilizer Only)

There are two methods of effective spreading, longitudinal fertilizer spreading and cross sectional fertilizer spreading.

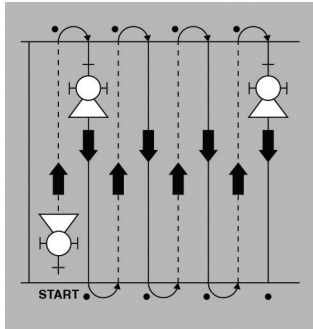
When applying fertilizer please make sure you walk at 3mph and keep the hopper in a stable, upright position.

How to use the Cresco 10

Single Pass Fertilizer Spreading

Use ½ the application rate suggested on the back of your fertilizer bag.

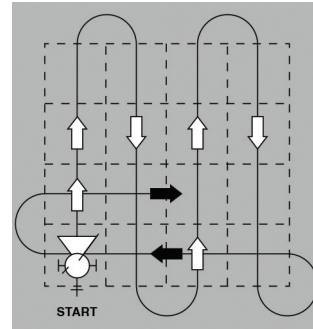
Cover the area as shown by passing over it in an up and down track as shown, taking into account the spread width of the material being applied.



Cross Sectional Fertilizer Spreading

Use ½ the application rate suggested on the back of your fertilizer bag.

Cover the area as shown. Repeating by a second pass in the same manner going across the area as shown in the diagram.



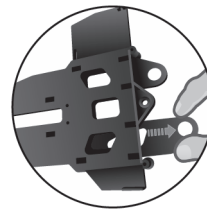
Step 4: Cleaning and Maintenance

CLEANING THE SPREADER THOROUGHLY WILL SIGNIFICANTLY ENHANCE THE LIFESPAN OF YOUR SPREADER AND IMPROVE IT'S ABILITY TO SPREAD EVENLY NEXT TIME YOU USE IT.

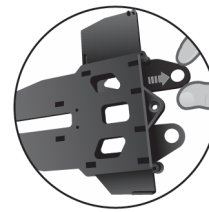


Calibration Setting Guide

Speed		05mm - 1mm			1mm - 2mm			3mm - 5mm		
Mph	3	3.5	3.5	4.0	4.0	4.0	4.5	4.5	4.5	4.5
Kph	4.828	20	35	20	35	50	20	35	50	50
Metres p/ Sec	1.34	10	10	10	10	10	10	10	10	10
Product		13.4	13.4	13.4	13.4	13.4	13.4	13.4	13.4	13.4
Width	Metres	3.5	3.5	4.0	4.0	4.0	4.5	4.5	4.5	4.5
Application Rate	Grams /Sq M	20	35	20	35	50	20	35	50	50
Run Time	Secs	10	10	10	10	10	10	10	10	10
Distance	metres	13.4	13.4	13.4	13.4	13.4	13.4	13.4	13.4	13.4
Area	Sq Metres	47	47	54	54	54	60	60	60	60
Target Weight	Grams	938	1,876	938	1,876	3,015	938	1,876	1,876	3,015
Setting		8.5	11	14	11	19.5	13	18	16 (X2)	
Slider Position		-	-	-	-	-	7 Clicks LHS	7 Clicks LHS	7 Clicks LHS	



Left hand slider adjuster



Right hand slider adjuster

LHS (Left hand slider adjuster) is recommended to be engaged when spreading large sized granular materials to provide a more uniform distribution on the left and right side of the spread pattern. Conversely with very light materials (e.g. grass seed) engaging the RHS (Right hand slider adjuster) will be similarly beneficial.

The manufacturer cannot be held responsible for any variations in sq. metre application volumes, or spread width differences, due to possible variations in materials, application conditions at the time and different operator application techniques.

Do not spread Fertiliser or seed materials with the winter slider

This chart should be used as a guide only.



3-Year **Limited Warranty**

DMMP Ltd. warrants this product free of defects in original workmanship and materials for a period of 3 Years to the end user with the original dated purchase receipt.

If a manufacturing non-conformance is found, DMMP Ltd. will repair or replace the part(s) or product at its discretion at no charge provided the failure is not the result of incorrect installation, mishandling, misuse, tampering, or normal wear and tear as determined by DMMP Ltd.

DMMP Ltd. at its discretion may require that the part(s) or product be returned along with the original purchase receipt at owners' expense for examination and compliance with the terms of this warranty.

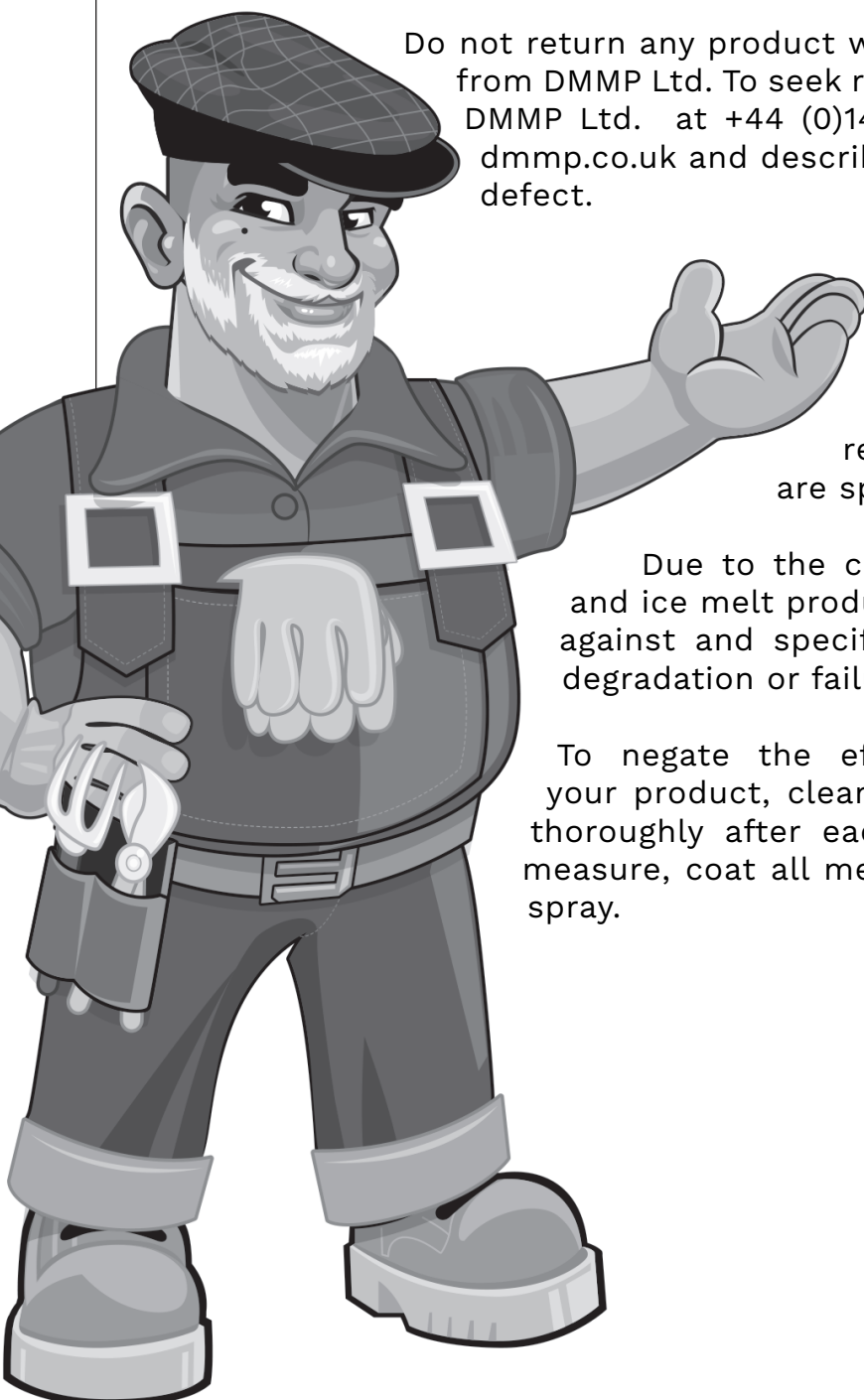
Do not return any product without first receiving authorization from DMMP Ltd. To seek remedy under this warranty, contact DMMP Ltd. at +44 (0)1455 825 400 or email us at info@dmmp.co.uk and describe the nature of the manufacturing defect.

SPECIFIC LIMITATIONS:

This warranty covers only the part(s) or product; any labour charges associated with repair or replacement of nonconformances are specifically excluded.

Due to the corrosive nature of most fertilizers and ice melt products, DMMP Ltd makes no warranty against and specifically excludes part(s) or product degradation or failure due to corrosion or its effects.

To negate the effects of corrosive materials on your product, clean and dry your spreader or seeder thoroughly after each use. As a further preventative measure, coat all metal parts with a light oil or silicon spray.



Other Cresco Products

Product / Season		Unique Selling Points	
 Cresco 1  Code: CR001 	Ergonomic arm-rest handle for easy holding		Large 2Kg Hopper 
 Cresco 5  Code: CR005 	New heavy duty gearbox		Easy to use on/off system 
 Cresco 10SW  Code: CR10SW 	Cushioned on/off lever with solid rod linkage		Large moulded wheels 
 Cresco 20SW  Code: CR20SW 	Cushioned on/off lever with solid rod linkage		Pneumatic Wheels 
 Cresco SRS Code: CRSRS 	Seed Plate Bag Included with 11 Seed Plates		Strong row marker mounting 
 Heavy Duty Snow Shovel Code: H464P 	Powder coated steel tubed handle		Large comfortable ergonomic grip 
 Wide Snow Clearer Code: H611 	Steel blade		Steel edge to increase cutting power and longevity 
 3 in 1 Foldable Snow Shovel Code: HZS212 	Anodised aluminium head		Telescopic anodised aluminium handle 
 Cresco Snow Blaster Code: H595 	Two grip design makes snow removal easy and minimises lifting and stooping		Wave ribbed design reinforces blade strength 
 Polar Tough Snow Plough Code: YH74900 	Helps manage snow accumulation		Reduces labour costs compared to a shovel 