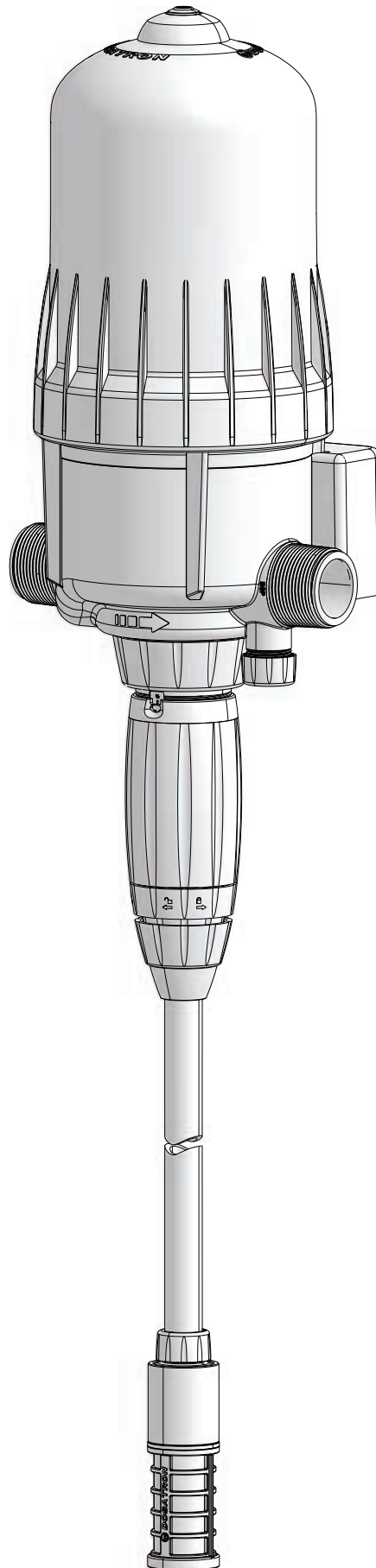


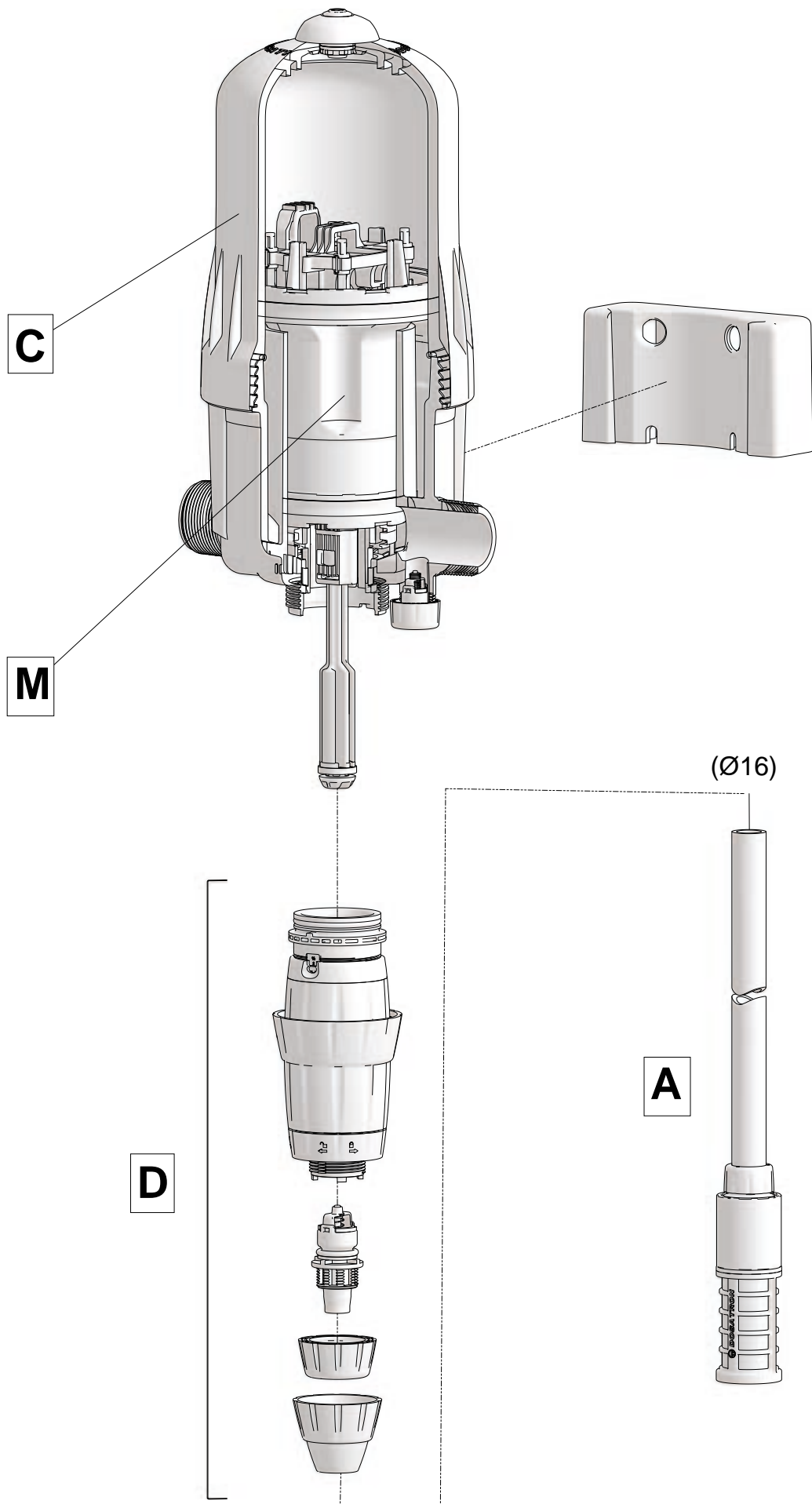
# D9 0.2 - 2%

9m<sup>3</sup>/h - 0.2 - 2%  
40 GPM - 1:500 - 1:50  
0.3 - 8 bar  
4.3 - 116 psi



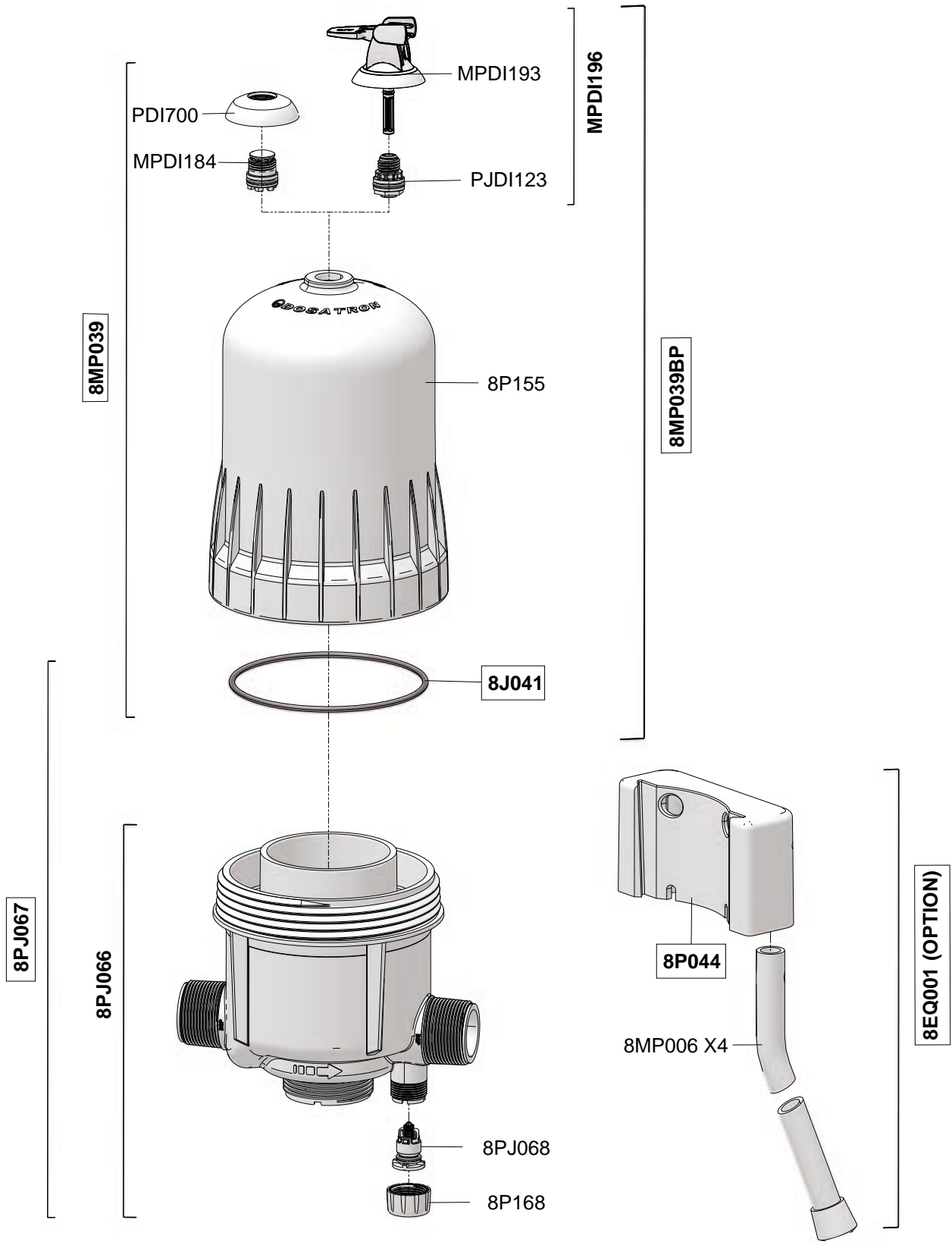
# D9 0.2 - 2%

9m<sup>3</sup>/h - 0.2 - 2%  
40 GPM - 1:500 - 1:50  
0.3 - 8 bar  
4.3 - 116 psi



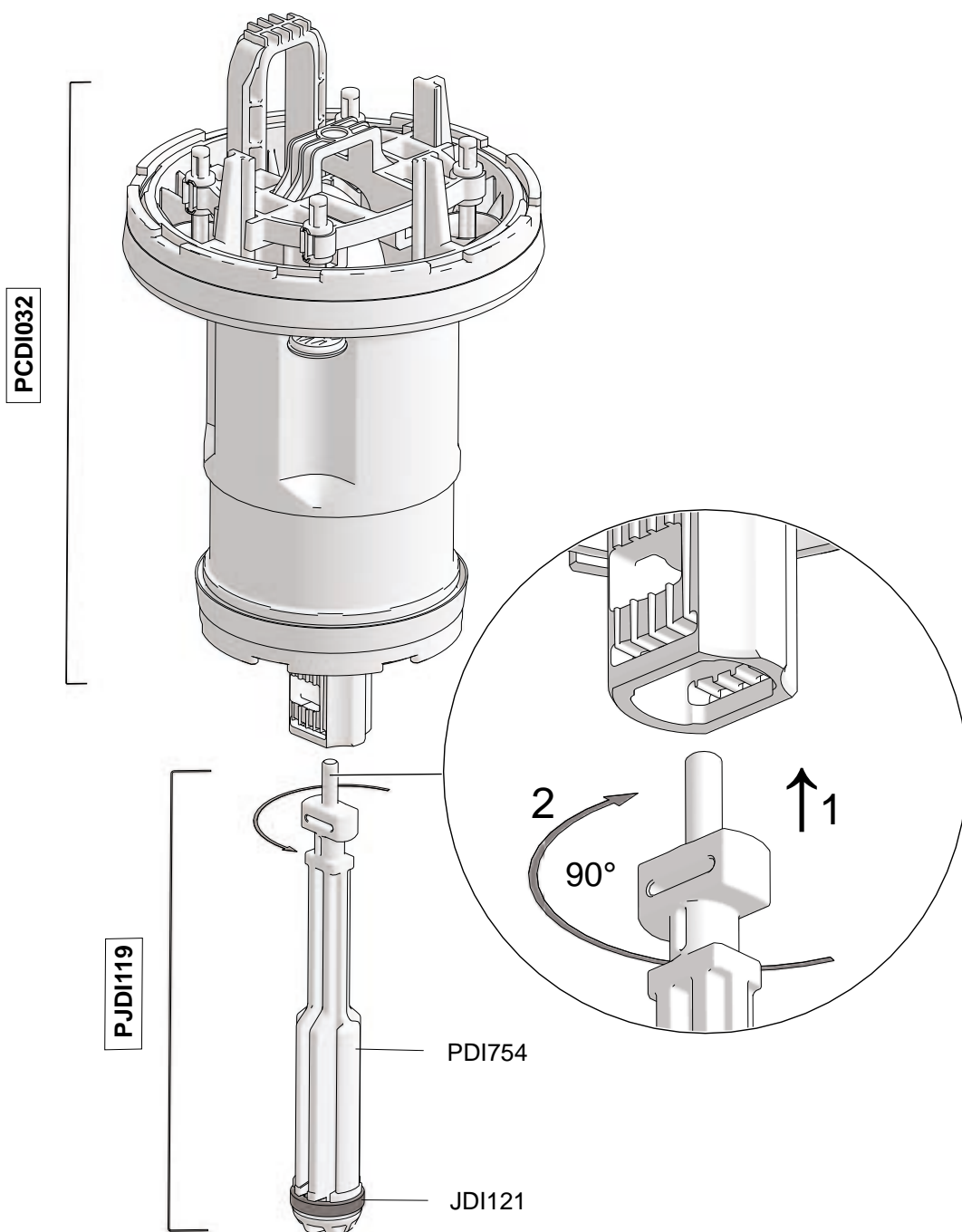
# D9 0.2 - 2%

9m<sup>3</sup>/h - 0.2 - 2%  
40 GPM - 1:500 - 1:50  
0.3 - 8 bar  
4.3 - 116 psi



# D9 0.2 - 2%

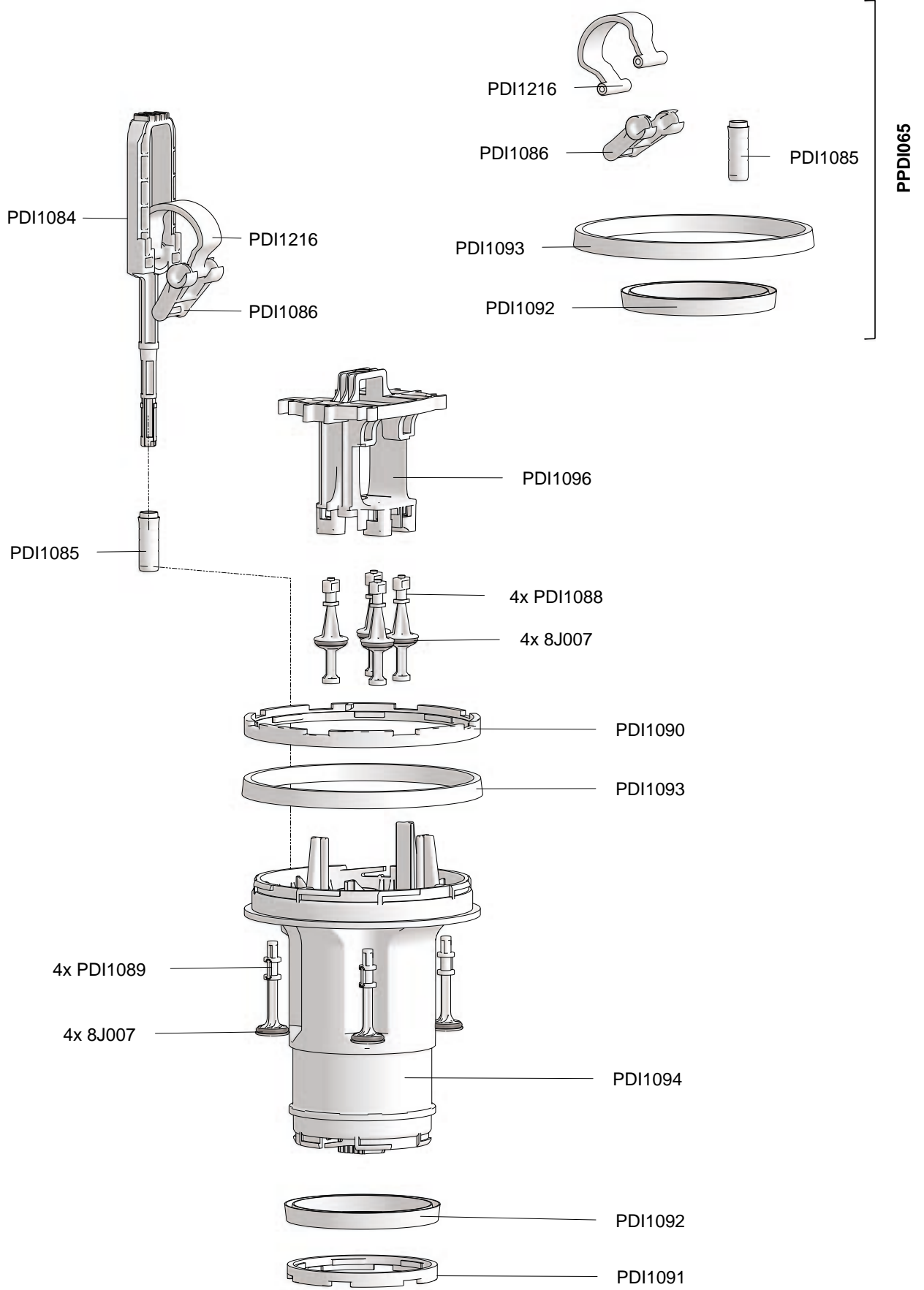
9m<sup>3</sup>/h - 0.2 - 2%  
40 GPM - 1:500 - 1:50  
0.3 - 8 bar  
4.3 - 116 psi



# D9 0.2 - 2%

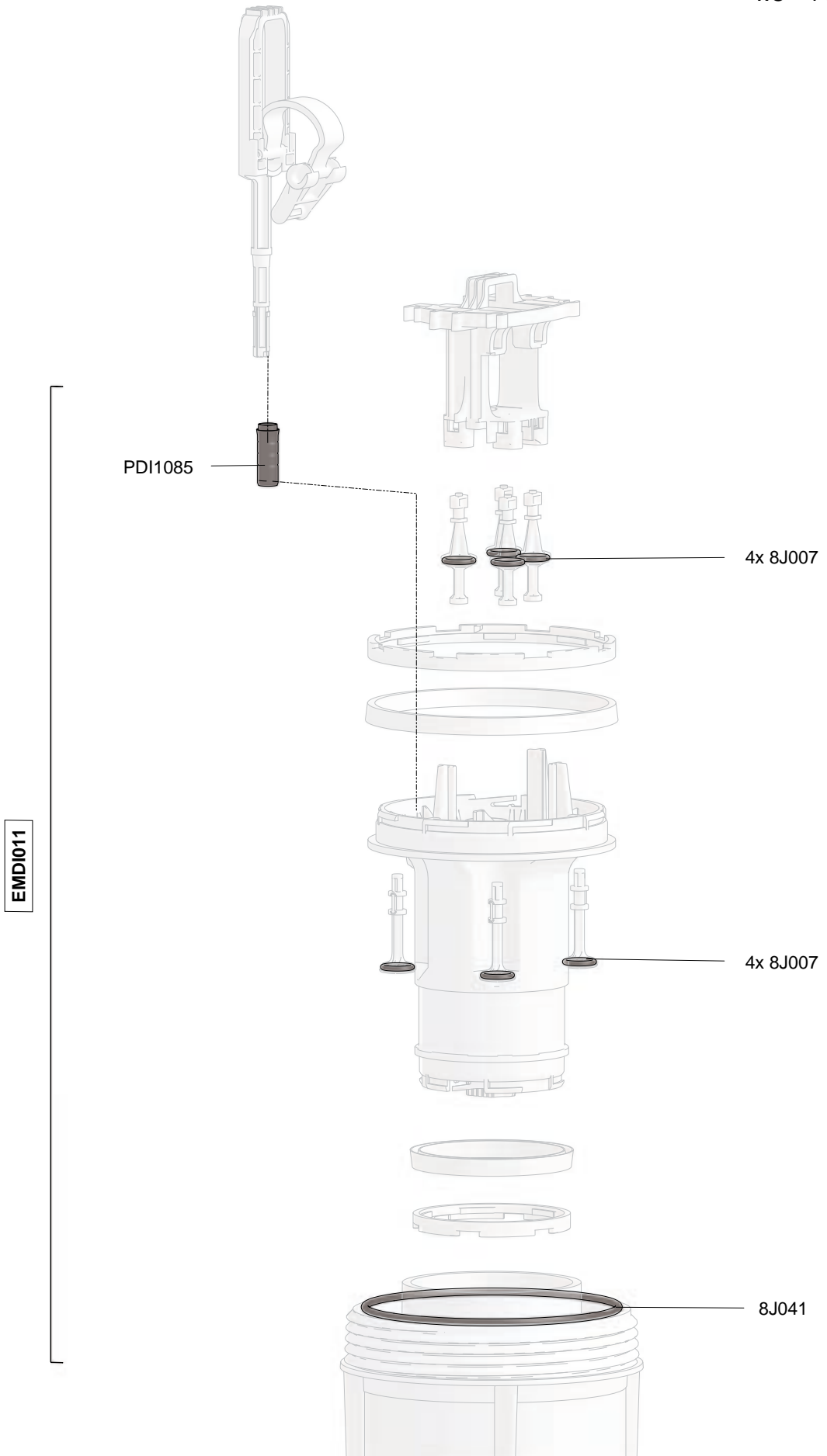
9m<sup>3</sup>/h - 0.2 - 2%  
40 GPM - 1:500 - 1:50  
0.3 - 8 bar  
4.3 - 116 psi

PCDI032



# D9 0.2 - 2%

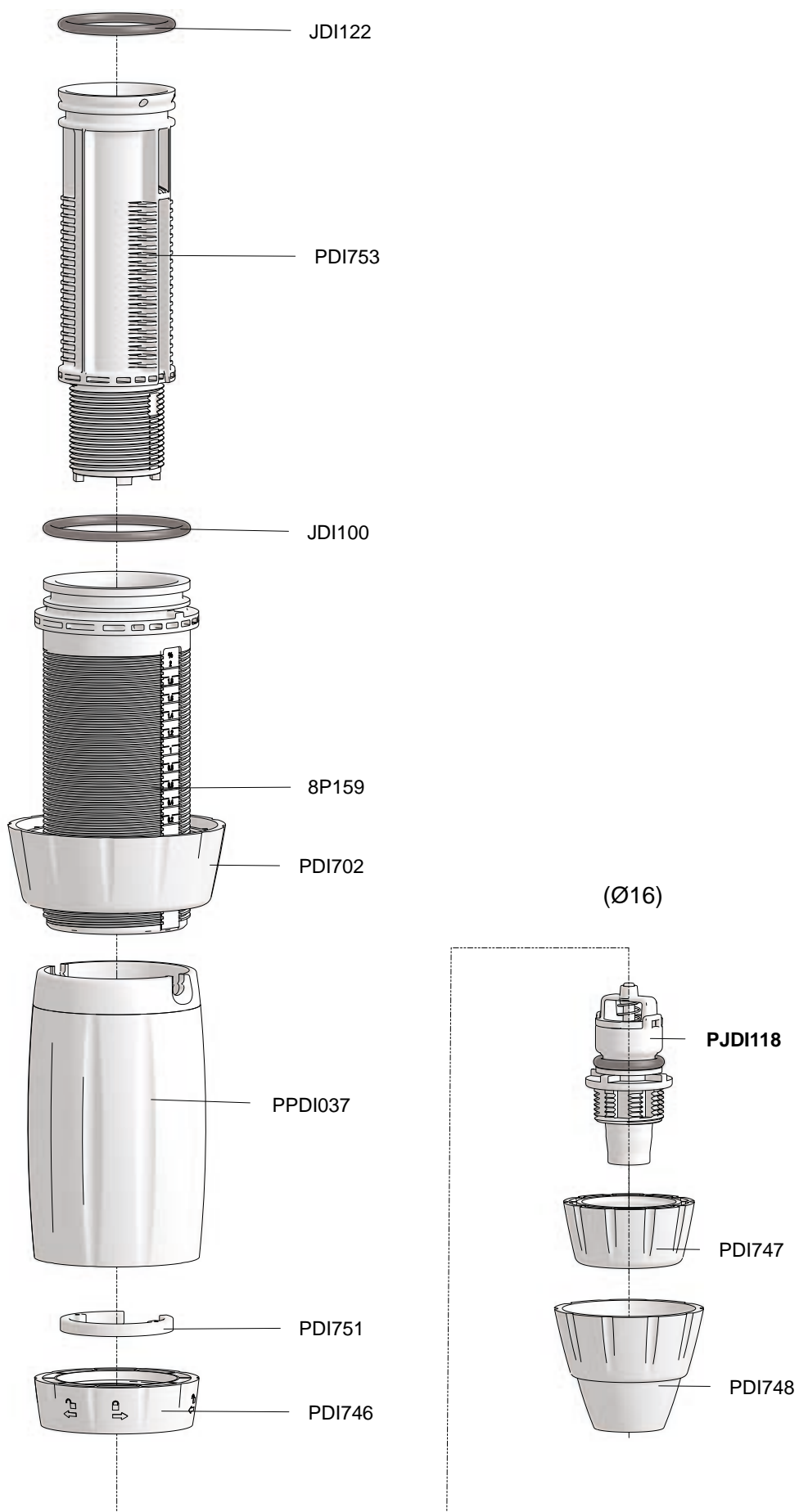
9m<sup>3</sup>/h - 0.2 - 2%  
40 GPM - 1:500 - 1:50  
0.3 - 8 bar  
4.3 - 116 psi



# D9 0.2 - 2%

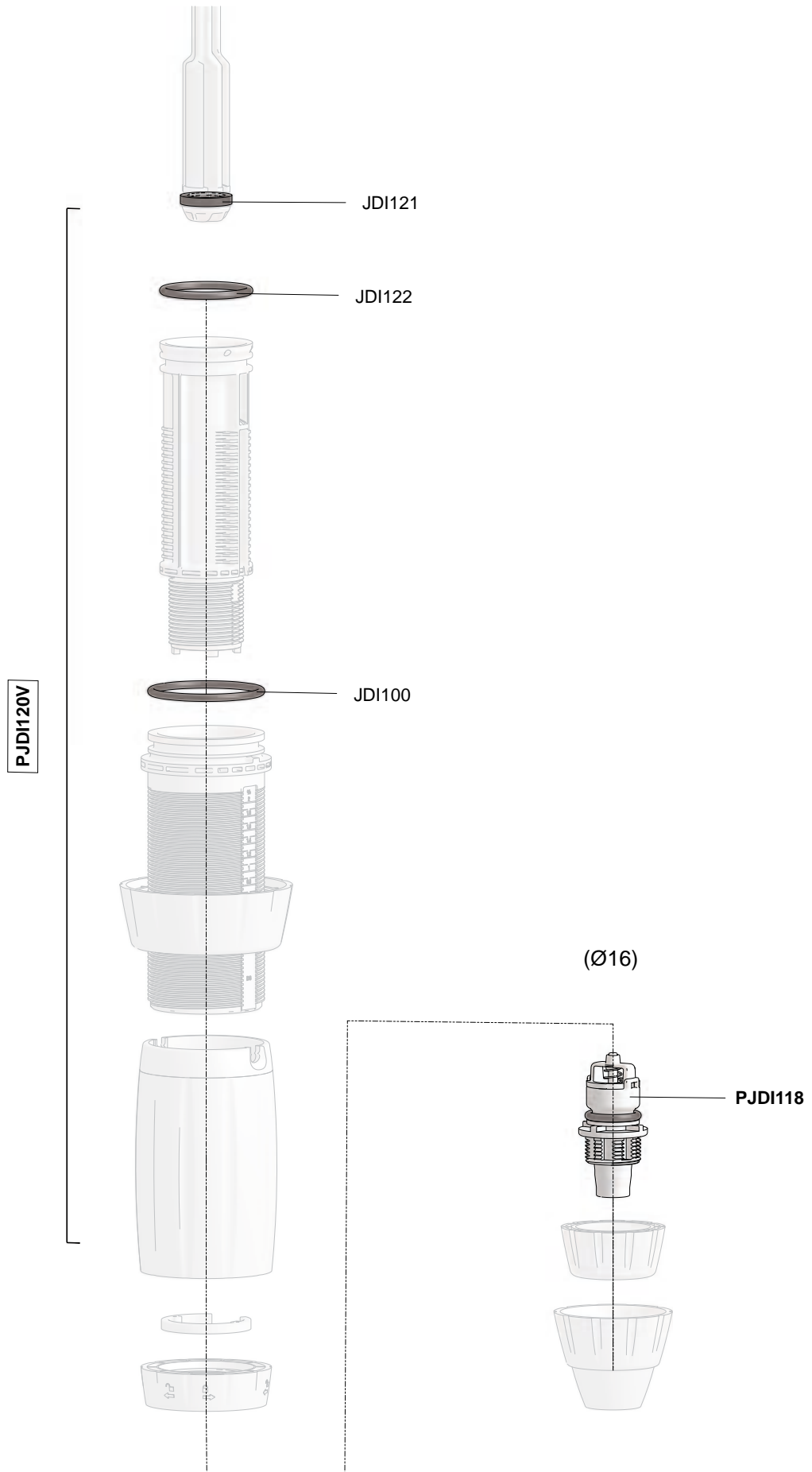
9m<sup>3</sup>/h - 0.2 - 2%  
40 GPM - 1:500 - 1:50  
0.3 - 8 bar  
4.3 - 116 psi

8CD033



# D9 0.2 - 2%

9m<sup>3</sup>/h - 0.2 - 2%  
40 GPM - 1:500 - 1:50  
0.3 - 8 bar  
4.3 - 116 psi





# D9 0.2 - 2%

9m<sup>3</sup>/h - 0.2 - 2%  
40 GPM - 1:500 - 1:50  
0.3 - 8 bar  
4.3 - 116 psi

