

Thank you for purchasing our
**Cresco 15SW Assembled
Fertilizer Spreader**



**We're delighted to have you as a customer
and are here to help! First off, let's get your
product assembled!**

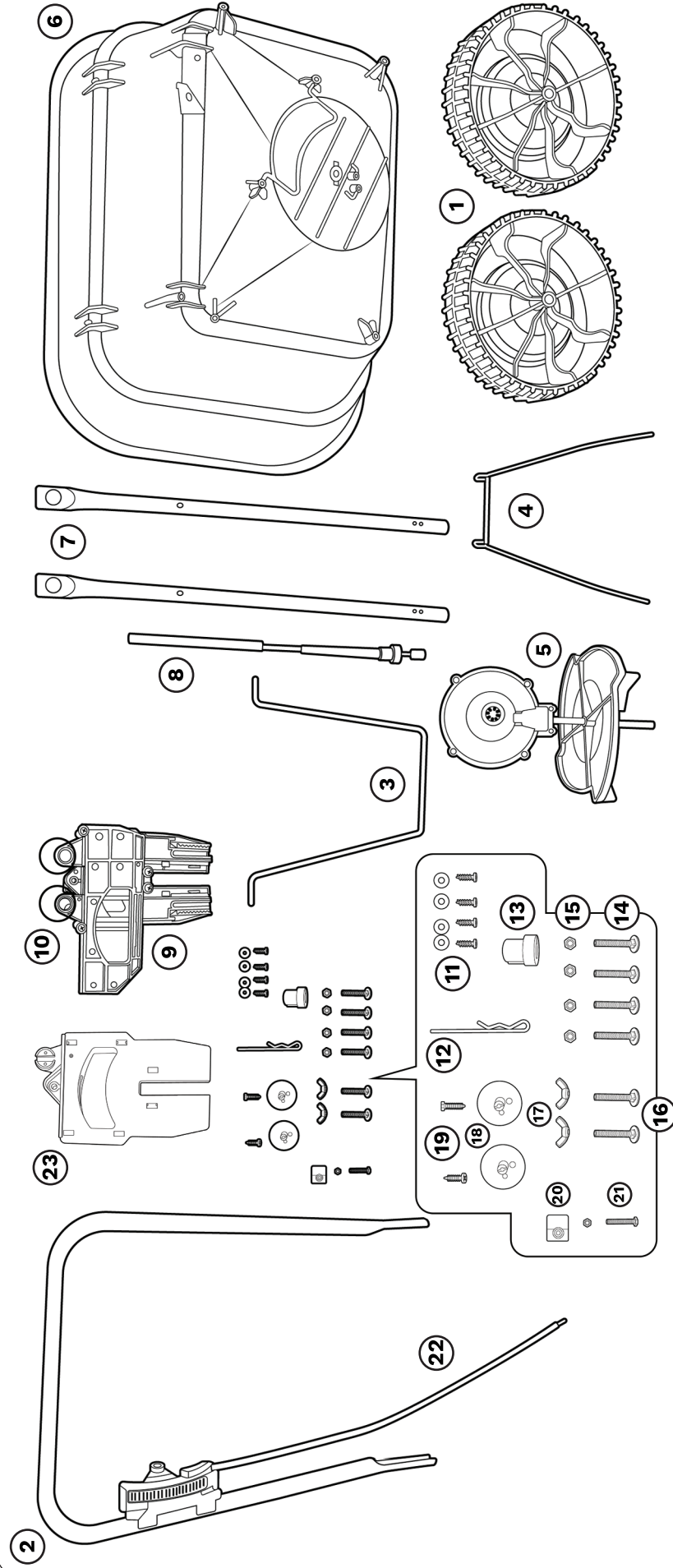
Table of Contents:

- 1: Spare Parts**
- 2: Assembly**
- 3: Warranty**

Scan for video assembly



Spare Parts



Empty all contents of the box onto a flat surface and count parts to make sure all are there.

CRESCO 15SW PARTS LIST:

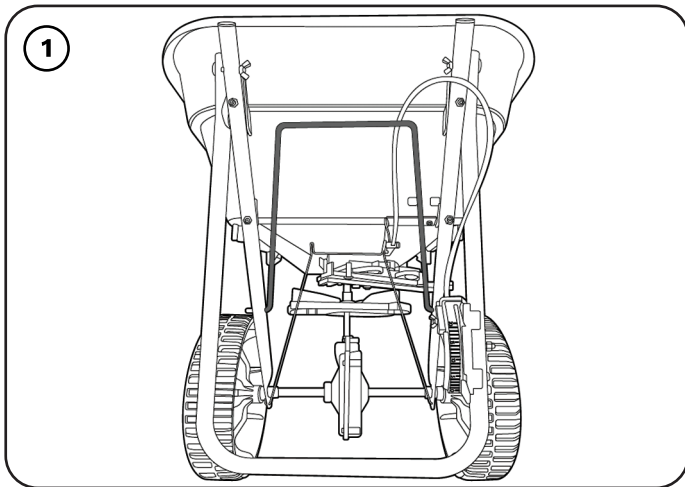
- | | | | | |
|------------------------------|--------------------------|------------------------------|---------------------------------|-------------------------------|
| 1. Wheels (X2) | 6. Hopper | 11. Screws and Washer | 16. M6 x 40 screws | 20. Cable Fixing Clamp |
| 2. Handle Bar | 7. Lower Frames | 12. Agitator | 17. M6 wing nuts | 21. Cable fixing screw |
| 3. Backstand | 8. Axle & Bushing | 13. Bushing | 18. Wheel Stoppers | 22. Cable Linkage |
| 4. Cable Back Stand | 9. Summer Slider | 14. M6 x 35 bolts | 19. Wheel stopper screws | 23. Winter Slider |
| 5. Gearbox & Impellor | 10. Adjustor | 15. M6 lock nuts | | |

Scan to view and purchase spare parts:

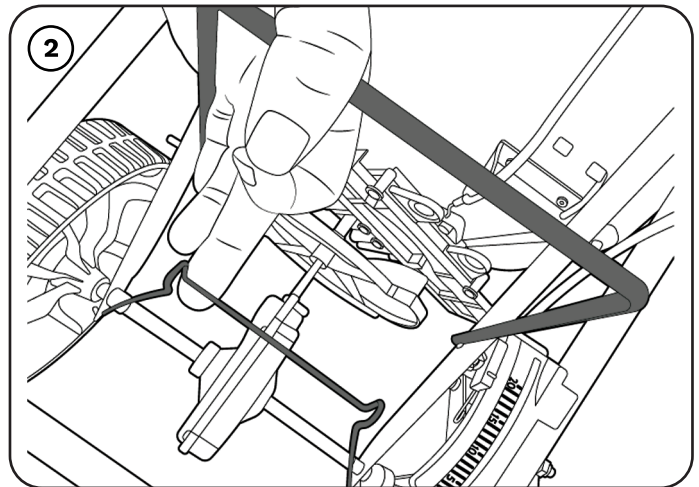


Cresco 15SW Set Up

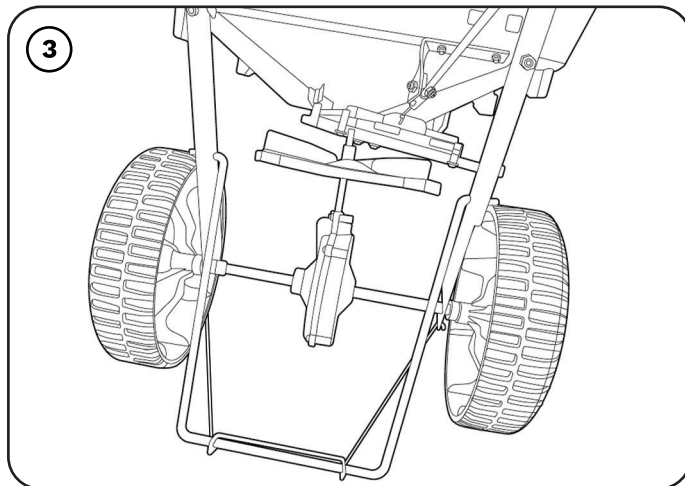
The Cresco 15SW spreader is a ready to use spreader.
No tools are needed for assembly.



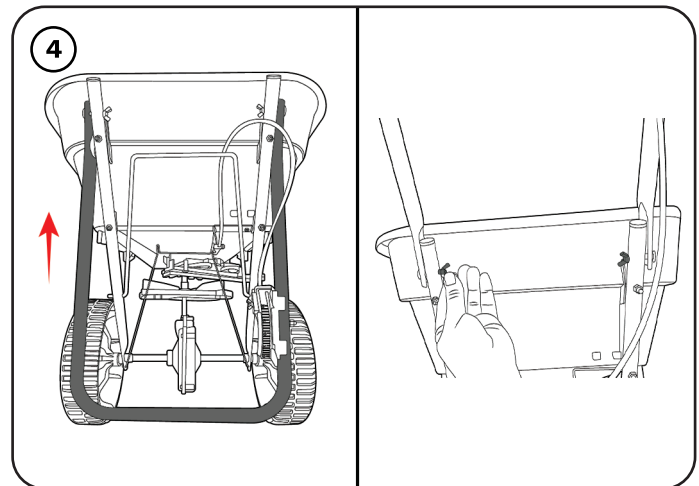
Carefully remove the spreader and its instruction manual from the box.



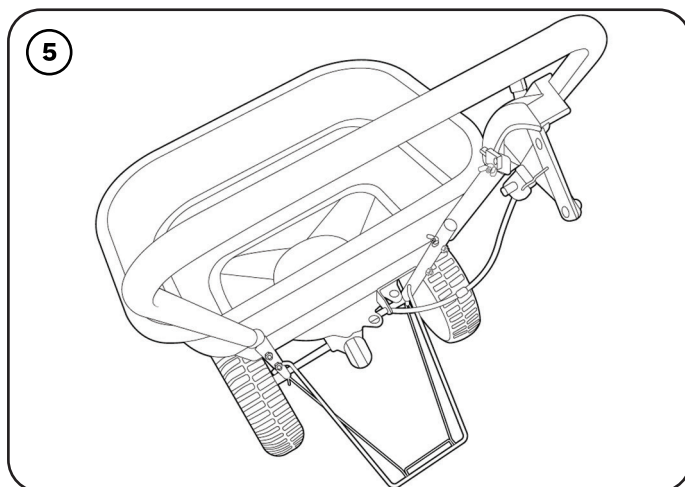
Clip the back stand (3) into the cable back stand (4).



Your back stand should now look like this.



Take the handlebar (2) and pull it into position as shown. Tighten the M6 wingnuts (18) to fix in position.



Your Cresco 15SW spreader is now ready for use, please refer to the manual for further information and guidance on how to achieve best results from the spreader. Alternatively, visit the Cresco website, at www.crescospreaders.com

3 Year **Limited Warranty**

DMMP Ltd. warrants this product free of defects in original workmanship and materials for a period of 3 year to the end user with the original dated purchase receipt.

If a manufacturing non-conformance is found, DMMP Ltd. will repair or replace the part(s) or product at it's discretion at no charge provided the failure is not the result of incorrect installation, mishandling, misuse, tampering, or normal wear and tear as determined by DMMP ltd.

DMMP Ltd. at its discretion may require that the part(s) or product be returned along with the original purchase receipt at owners' expense for examination and compliance with the terms of this warranty.

Do not return any product without first receiving authorization from DMMP Ltd. To seek remedy under this warranty, contact DMMP Ltd. at +44 (0)1455 825 400 or email us at info@dmmp.co.uk and describe the nature of the manufacturing defect.

SPECIFIC LIMITATIONS:

This warranty covers only the part(s) or product; any labour charges associated with repair or replacement of nonconformances are specifically excluded.

Due to the corrosive nature of most fertilizers and ice melt products, DMMP Ltd makes no warranty against and specifically excludes part(s) or product degradation or failure due to corrosion or its effects.

To negate the effects of corrosive materials on your product, clean and dry your spreader or seeder thoroughly after each use. As a further preventative measure, coat all metal parts with a light oil or silicon spray.

