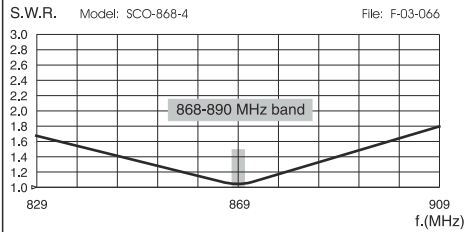
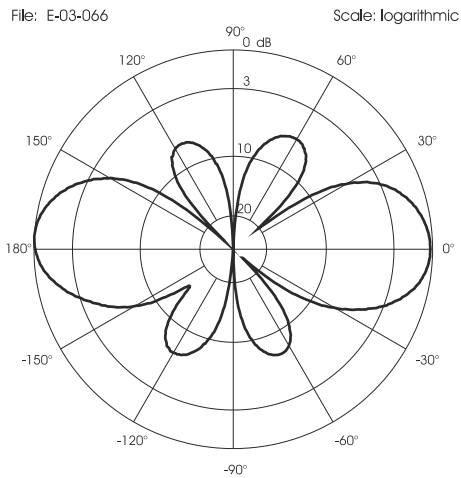


## SCO-868-4

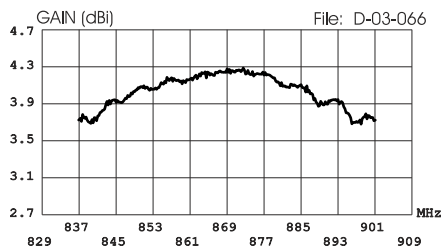
### TYPICAL S.W.R. RESPONSE



### TYPICAL RADIATION PATTERN at 868 MHz

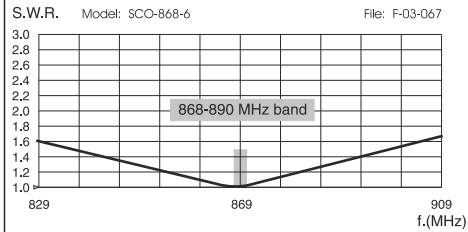


### TYPICAL GAIN DIAGRAM vs FREQUENCY

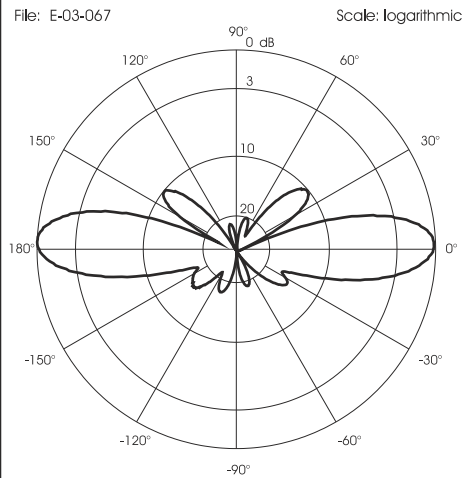


## SCO-868-6

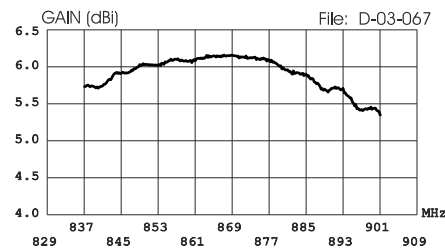
### TYPICAL S.W.R. RESPONSE



### TYPICAL RADIATION PATTERN at 868 MHz



### TYPICAL GAIN DIAGRAM vs FREQUENCY



# SCO-868-4 SCO-868-6

## Base Station Antennas ISM 868 band



SCO-868-4

SCO-868-6



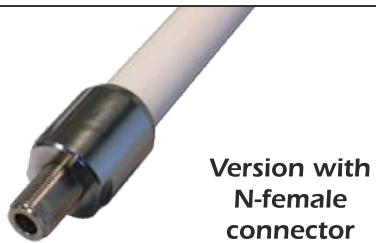
HI-QUALITY ANTENNAS MADE IN ITALY

## DESCRIPTION

Base station antennas conceived for ISM system working on 868-870 MHz. The radiant colinear dipoles are made of PCB and protected by a fiberglass tube. SCO-868-4/-6 are available in 2 versions: N-f connector (fitted at the bottom) or supplied with 5m Low Loss cable directly connected and SMA-male (other type on request).

## SPECIFICATIONS

Electrical Data	SCO-868-4 N-f connector	SCO-868-6 N-f connector	SCO-868-4 cable version	SCO-868-6 cable version
Type	2 x 1/2 λ. Colinear	3 x 1/2 λ. Colinear	2 x 1/2 λ. Colinear	3 x 1/2 λ. Colinear
Frequency Range @ SWR ≤ 1.5	868 - 870 MHz (ISM 868 system)			
Impedance	50 Ω			
Radiation (H-plane)	360° omnidirectional			
Radiation (E-plane) Beamwidth @ -3 dB:	32°	22°	32°	22°
Radiation angle deg.	0°			
Polarization	Linear Vertical			
Gain	2.2 dBd, 4.3 dBi	4.1 dBd, 6.2 dBi	2.2 dBd, 4.3 dBi	4.1 dBd, 6.2 dBi
Max Power (CW) @ 30° C	20 Watts			
Cable Type / Length	/		White Low Loss cable / 5m, 16.4 ft	
Connector	N-female, gold plated central pin		SMA-male, other type on request	
<b>Mechanical Data</b>				
Housing & Radome Material	Fiberglass, PCB, Chromed Brass			
Bracket & Hardware Material	Galvanized steel			
Wind Load @ 150 Km/h, 93 mi/h	35 N	41 N	35 N	41 N
Wind Resistance	140 Km/h, 87 mi/h	120 Km/h, 75 mi/h	140 Km/h, 87 mi/h	120 Km/h, 75 mi/h
Wind Surface	0.0243 m <sup>2</sup> ; 0.25 ft <sup>2</sup>	0.03 m <sup>2</sup> ; 0.32 ft <sup>2</sup>	0.0243 m <sup>2</sup> ; 0.25 ft <sup>2</sup>	0.03 m <sup>2</sup> ; 0.32 ft <sup>2</sup>
Height (approx.)	500 mm, 1.65 ft	770 mm, 2.5 ft	500 mm, 1.65 ft	770 mm, 2.5 ft
Weight (without bracket, approx.)	280 gr, 0.6 lb	330 gr, 0.7 lb	440 gr, 1 lb	490 gr, 1.1 lb
Operating Temperature	-40 °C to +80 °C			
Installation type	M3 bracket: Mast: Ø 35-42 mm, Ø 1.4-1.65 inch with U-bolt Wall: with screws (not included)			

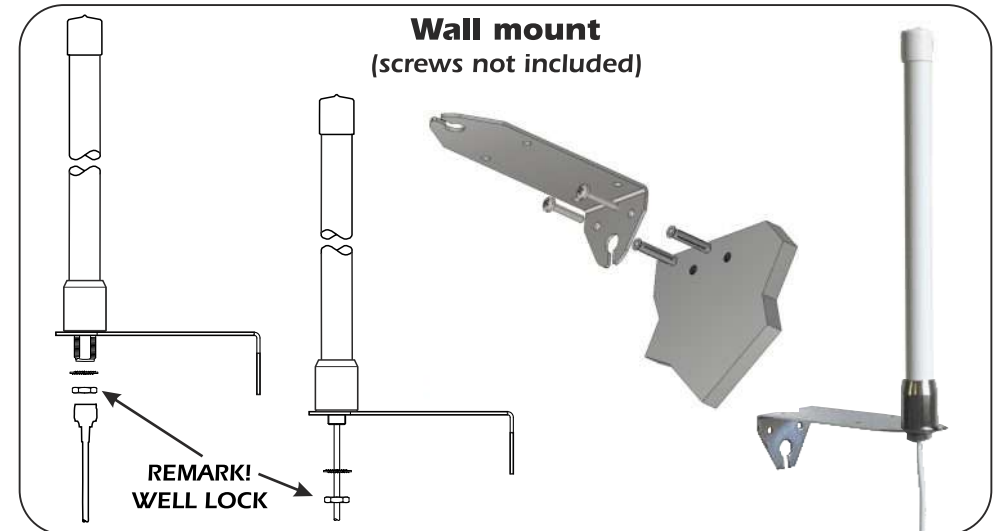
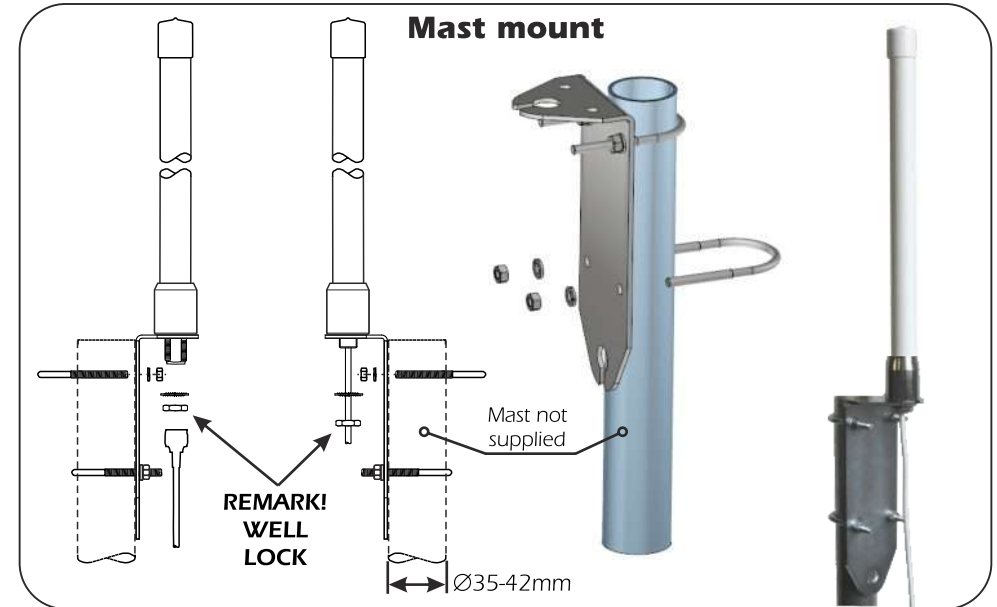


Version with  
N-female  
connector



Version with  
Low Loss  
cable

## MOUNTING INSTRUCTIONS



BRACKET re-order code: ST07404	
Materials:	galvanized steel
Dimensions:	195x60x70 mm
Weight:	345 g

U-BOLTS re-order code: SA008	
Q.ty	Description
2	M6 U-bolt
4	M6 Exagonal nut
4	M6 Flat washer
4	M6 Spring lock washer

LOCK NUT re-order code: SA266	
Q.ty	Description
1	19mm Exagonal nut
1	M16 Spring lock washer