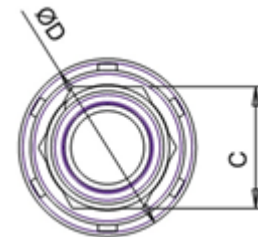
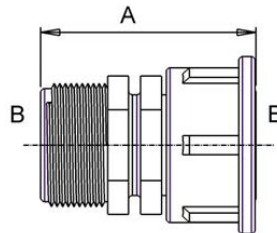
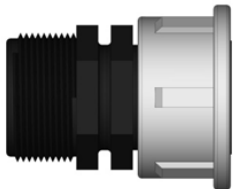


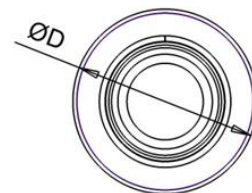
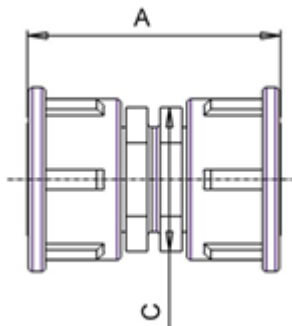
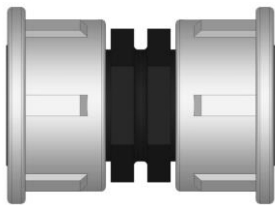
## Swivel Fittings

### Adaptor M/F

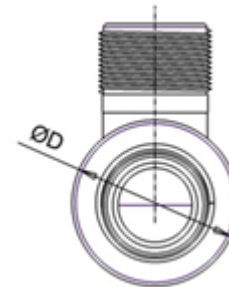
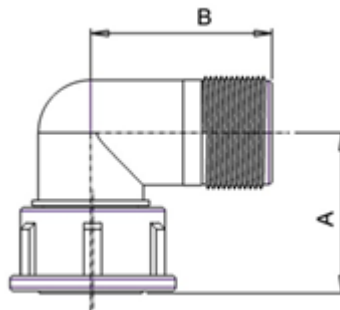
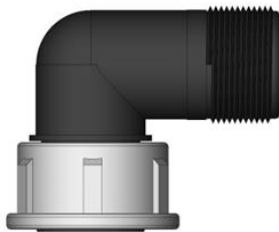


Cat. Number	Size	Metric Units (mm)				U.S. Units (inch)			
		A	B	C	D	A	B	C	D
SFM34	¾" F X ¾" M	60	30	23	35	2.36	1.18	0.90	1.38
SFM1	1" F X 1" M	57	32	32	46.5	2.24	1.26	1.26	1.83
SFM134	1" F X ¾" M	54	32	32	46.5	2.12	1.26	1.26	1.83
SFM112	1½" F X 1½" M	83	52	52	61	3.27	2.17	2.05	2.4
SFM2	2" F X 2" M	77	65	65	75.5	3.13	2.56	2.56	2.97

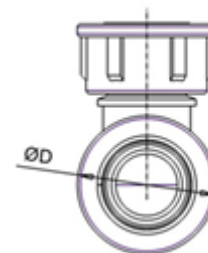
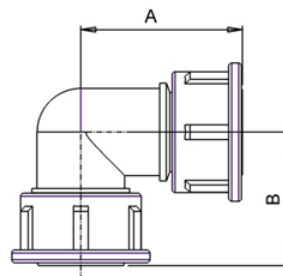
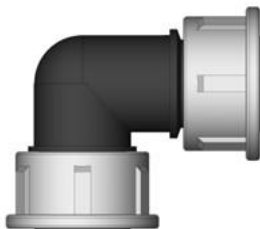
### Coupling



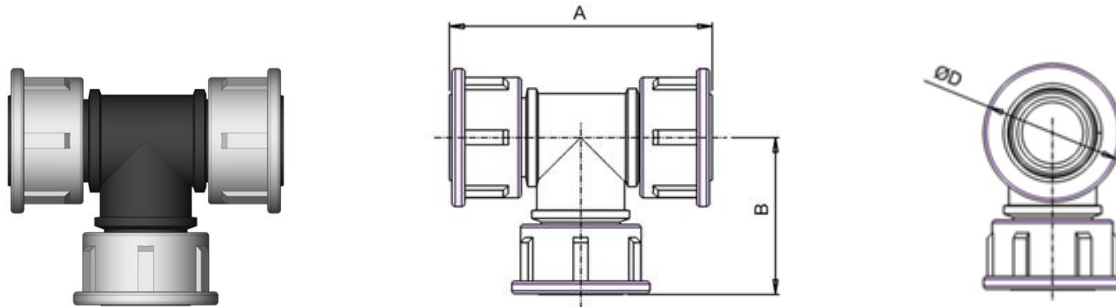
Cat. Number	Size	Metric Units (mm)			U.S. Units (inch)		
		A	C	D	A	C	D
SFF1	1" F X 1" F	64	32	46.5	2.52	1.26	1.83

**Elbow M/F**


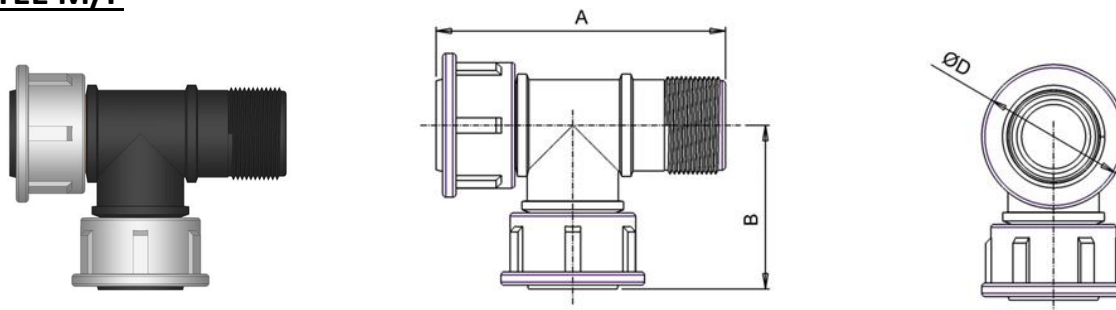
Cat. Number	Size	Metric Units (mm)			U.S. Units (inch)		
		A	B	D	A	B	D
SEFM1	1"F X 1"M	45	51	46.5	1.78	2.00	1.83
SEFM134	1"F X ¾"M	45	51	46.5	1.78	2.00	1.83
SEFM112	1½"F X 1½"M	77.5	63	61	3.05	2.48	2.40
SEFM2	2"F X 2"M	85	70	75.5	3.35	2.75	2.97

**Elbow F/F**


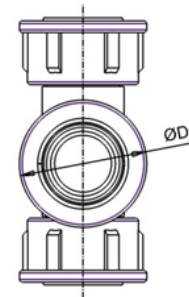
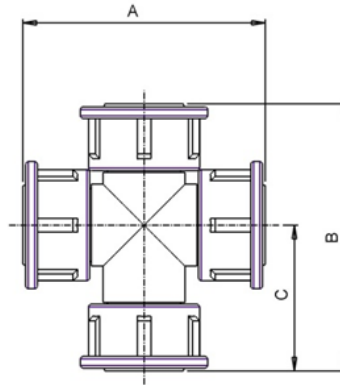
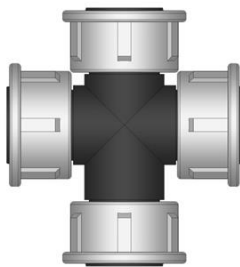
Cat. Number	Size	Metric Units (mm)			U.S. Units (inch)		
		A	B	D	A	B	D
SEF1	1"F X 1"M	54.5	45	46.5	2.14	1.77	1.83
SEF112	1½"F X 1½"M	77.5	77.5	61	3.05	3.05	2.40
SEFM2	2"F X 2"M	85	85	75.5	3.35	3.35	2.97

**TEE**


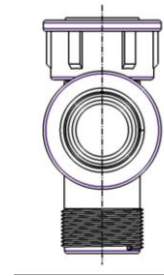
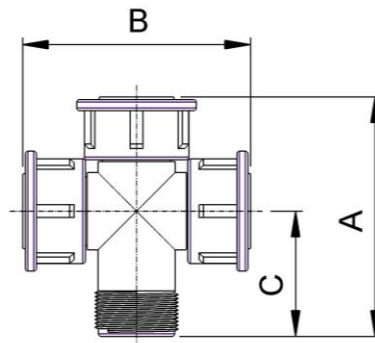
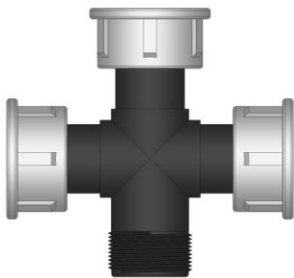
Cat. Number	Size	Metric Units (mm)			U.S. Units (inch)		
		A	B	D	A	B	D
STF1	1"F X 1"F x 1"F	89	53	46.5	3.50	2.09	1.83
STF112	1 <sup>1</sup> / <sub>2</sub> "F X 1 <sup>1</sup> / <sub>2</sub> "F x 1 <sup>1</sup> / <sub>2</sub> "F	162.5	80	61	6.40	3.15	2.40
STF2	2"F X 2"F x 2"F	153	84.5	61	6.12	3.33	2.40

**TEE M/F**


Cat. Number	Size	Metric Units (mm)			U.S. Units (inch)		
		A	B	D	A	B	D
STMF1	1"F X 1"F x 1"M	94	53	46.5	3.70	2.09	1.83
STMF112	1 <sup>1</sup> / <sub>2</sub> "F X 1 <sup>1</sup> / <sub>2</sub> "F x 1 <sup>1</sup> / <sub>2</sub> "M	158	80	61	6.22	3.15	2.40
STMF2	2"F X 2"F x 2"M	155	84	75.5	6.10	3.31	2.97

**Cross**


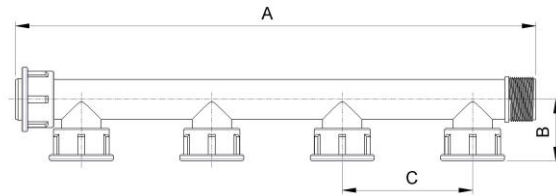
Cat. Number	Size	Metric Units (mm)			U.S. Units (inch)		
		A	B	C	A	B	C
SCF1	1"F X 1"F x 1"F x 1"F	89	98	46.5	3.50	3.86	1.83

**Cross Male Adaptor**


Cat. Number	Size	Metric units (mm)			U.S. Units (inch)		
		A	B	C	A	B	C
SCFM1	1"F X 1"F x 1"F x 1"M	93	90	46.5	3.66	3.54	1.83

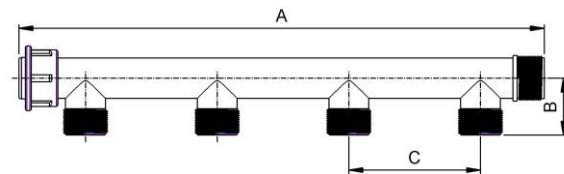


### Swivel Manifold Male

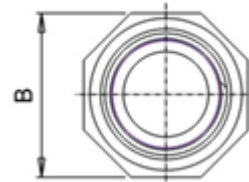
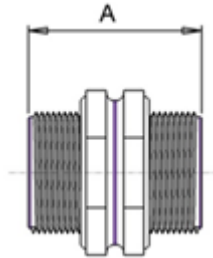
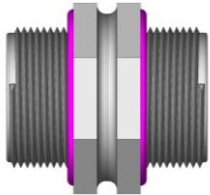


Cat. Number	Size	Metric Units (mm)			U.S. Units (inch)		
		A	B	C	A	B	C
STMF12	1" X 2	189	45	95	7.44	1.77	3.74
STMF13	1" X 3	284	45	95	11.18	1.77	3.74
STMF14	1" X 4	380	45	95	14.96	1.77	3.74

### Swivel Manifold Male



Cat. Number	Size	Metric Units (mm)			U.S. Units (inch)		
		A	B	C	A	B	C
STMMF12	1" X 2	189	45	95	7.44	1.77	3.74
STMMF13	1" X 3	284	45	95	11.18	1.77	3.74
STMMF14	1" X 4	380	45	95	14.96	1.77	3.74

**Nipple with O-ring**


Cat. Number	Size	Metric Units (mm)		U.S. Units (inch)	
		A	B	A	B
N34OR	3/4"	45	43	1.75	1.7
N1OR	1"	45	43	1.75	1.7
N134OR	1" X 3/4"	45	43	1.75	1.7
N112OR	1 1/2"	58	60	2.28	2.36
N2OR	2"	58	75	2.28	2.95